



GERBER

VITREOUS CHINA
TOILET
AVALANCHE **21-019**

LAVATORIES

TOILETS

BIDETS / URINALS

CAST IRON



12" Rough-in

Gravity One-Piece Toilet ErgoHeight™ 17" High Elongated Toilet

Features:

- One Piece Toilet with Concealed trapway
- Elongated bowl, ADA height
- Single flush 1.28 gpf (4.8 Lpf)
- Fluidmaster® fill valve, WDI 3" flush valve
- Front mount tank lever
- Soft-closing seat cover
- Color matched plastic bolt cover plates included



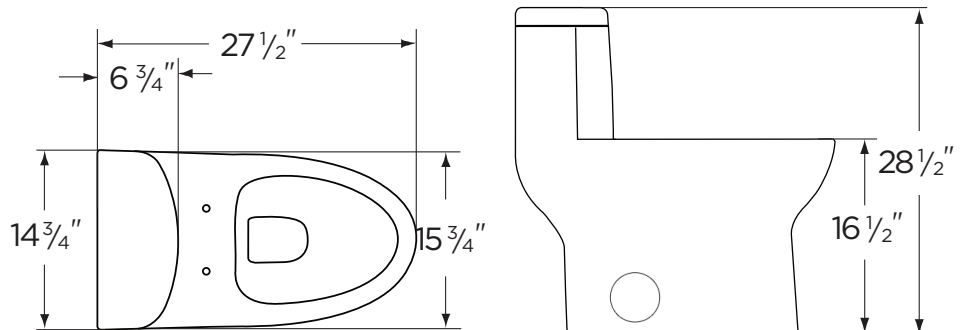
Toilet seat included

Dimensions:

- Height 28 1/2"
- Width 15 3/4"
- Depth 27 1/2"
- Rough-in 12"
- Trapway (min) 2"

Warranty:

- Limited Lifetime Warranty



THIS FIXTURE QUALIFIES ACCORDING TO ASME TEST PROCEDURES AS A LOW CONSUMPTION WATER CLOSET WITH AN AVERAGE CONSUMPTION OF 1.28 gpf (4.8 Lpf) OR LESS.



HIGH EFFICIENCY TOILET
HET

www.gerberonline.com

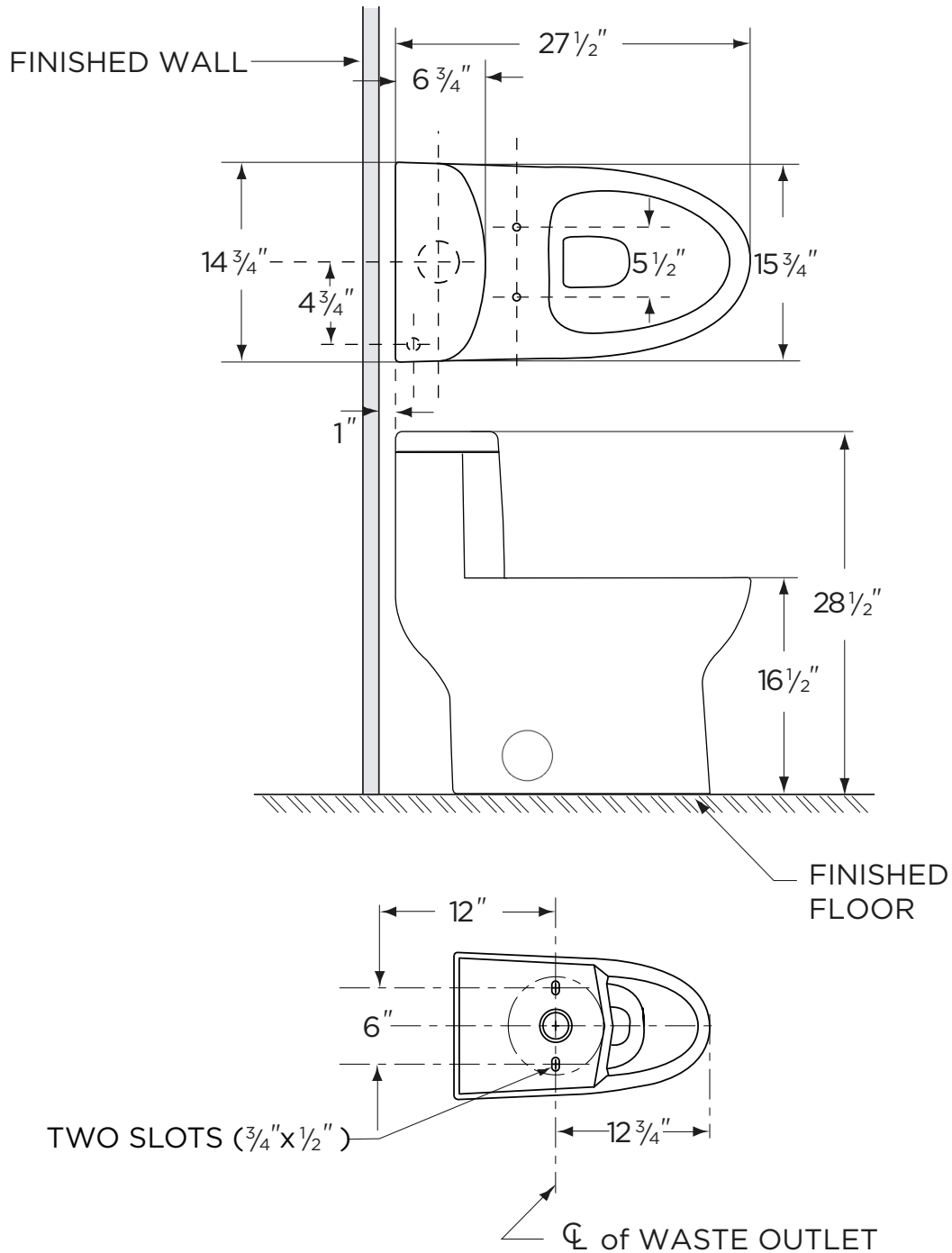
Job Name	
Date	
Model Specified	
Quantity	
Customer	
Contractor	
Architect/engineer	



GERBER

1.28 gpf (4.8 Lpf)

♿ TOILET
21-019
12" Rough-in
(One-Piece)



THIS FIXTURE QUALIFIES ACCORDING TO ASME TEST PROCEDURES AS A LOW CONSUMPTION WATER CLOSET WITH AN AVERAGE CONSUMPTION OF 1.28 gpf (4.8 Lpf) OR LESS.

IMPORTANT:

Dimensions of fixtures are nominal and may vary within the range of tolerances established by ASME Standard A 112.19.2.

THIS FIXTURE QUALIFIES ACCORDING TO ASME TEST PROCEDURES AS A LOW CONSUMPTION WATER CLOSET WITH AN AVERAGE CONSUMPTION OF 1.28 gpf (4.8 Lpf) OR LESS.