

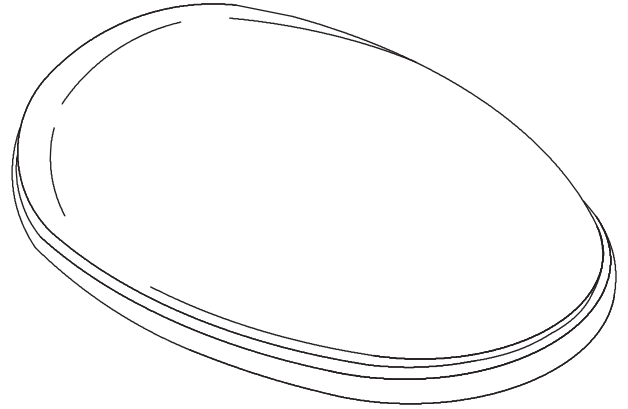
Features

- Molded wood seat and cover
- Metal hinges
- Elongated closed-front
- Exclusive seat design for K-3612 and K-3360 Revival toilets

Codes/Standards Applicable

Specified model meets or exceeds the following:

- None applicable



Hinge Finishes

- AF: Vibrant® French Gold
- BN: Brushed Nickel
- CP: Polished Chrome
- SN: Vibrant® Polished Nickel
- Other: Refer to Price Book for additional colors/finishes

Colors/Finishes

- 0: White
- Other: Refer to Price Book for additional colors/finishes

Specified Model

Model	Description	Hinge Finishes*					Colors/Finishes*	
K-4615	Toilet seat – elongated closed-front	<input type="checkbox"/> AF	<input type="checkbox"/> BN	<input type="checkbox"/> CP	<input type="checkbox"/> SN	<input type="checkbox"/> Other ____	<input type="checkbox"/> 0	<input type="checkbox"/> Other ____
*Specify hinge finish followed by color/finish when ordering.								

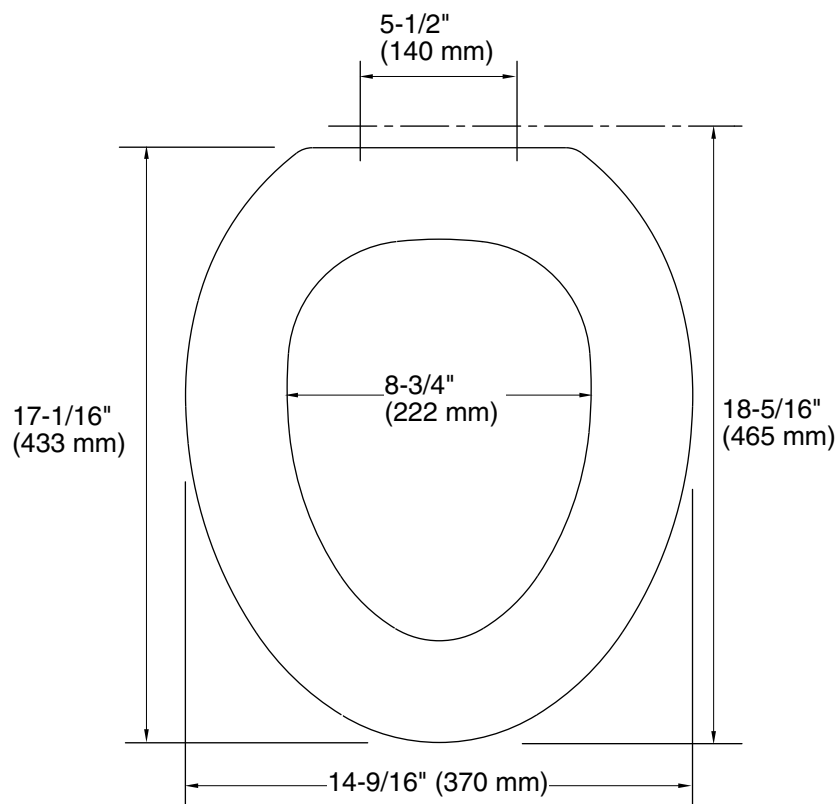
Product Specification

The toilet seat and cover shall be made of molded wood. Product shall feature metal hinges. Product shall be elongated closed-front. Product shall be an exclusive seat design for the K-3612 and K-3360 Revival toilets. Toilet seat shall be Kohler Model K-4615-____-____.

REVIVAL®

Installation Notes

Install this product according to the installation guide.



Product Diagram