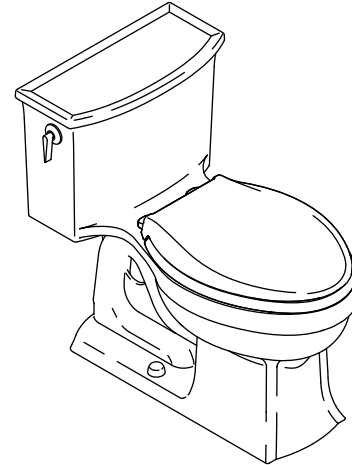




### Features

- Vitreous china
- One-piece
- Elongated bowl
- AquaPiston® flushing system
- Includes seat and cover
- Less supply
- 12" (305 mm) rough-in
- 2-1/8" (54 mm) glazed trapway
- 1.28 gpf (4.8 lpf)
- Includes left-hand polished chrome trip lever
- 11-1/2" (292 mm) x 8-1/4" (210 mm) water area
- 29-7/16" (748 mm) x 17-7/8" (454 mm) x 26-5/16" (668 mm)



### Codes/Standards Applicable

Specified model meets or exceeds the following:

- ASME A112.19.2/CSA B45.1
- Energy Policy Act of 1992
- EPA WaterSense®

### Colors/Finishes

- 0: White
- Other: Refer to Price Book for additional colors/finishes

### Accessories

- CP: Polished Chrome
- PB: Vibrant® Polished Brass
- Other: Refer to Price Book for additional colors/finishes

### Specified Model

Model	Description	Trip Lever	Colors/Finishes	
K-3639	Toilet	left-hand	<input type="checkbox"/> 0	<input type="checkbox"/> Other_____
<b>Recommended Accessories</b>				
K-7637	Angle supply with stop - 3/8" NPT	<input type="checkbox"/> CP	<input type="checkbox"/> PB	<input type="checkbox"/> Other_____
<b>Optional Accessories</b>				
K-11069	Trip lever (non-CP finish)	<input type="checkbox"/> PB	<input type="checkbox"/> Other_____	

### Product Specification

The elongated bowl toilet shall be made of vitreous china. Toilet shall be one-piece. Toilet shall be 29-7/16" (748 mm) in length, 17-7/8" (454 mm) in width, and 26-5/16" (668 mm) in height with an 11-1/2" (292 mm) by 8-1/4" (210 mm) water area. Toilet shall be 12" (305 mm) rough-in. Toilet shall have 2-1/8" (54 mm) glazed trapway. Toilet shall be 1.28 gpf (4.8 lpf) with AquaPiston flushing system. Toilet shall include left-hand polished chrome trip lever, seat, and cover. Toilet shall be less supply. Elongated bowl toilet shall be Kohler Model K-3639-\_\_\_\_\_.

# ARCHER™

## Technical Information

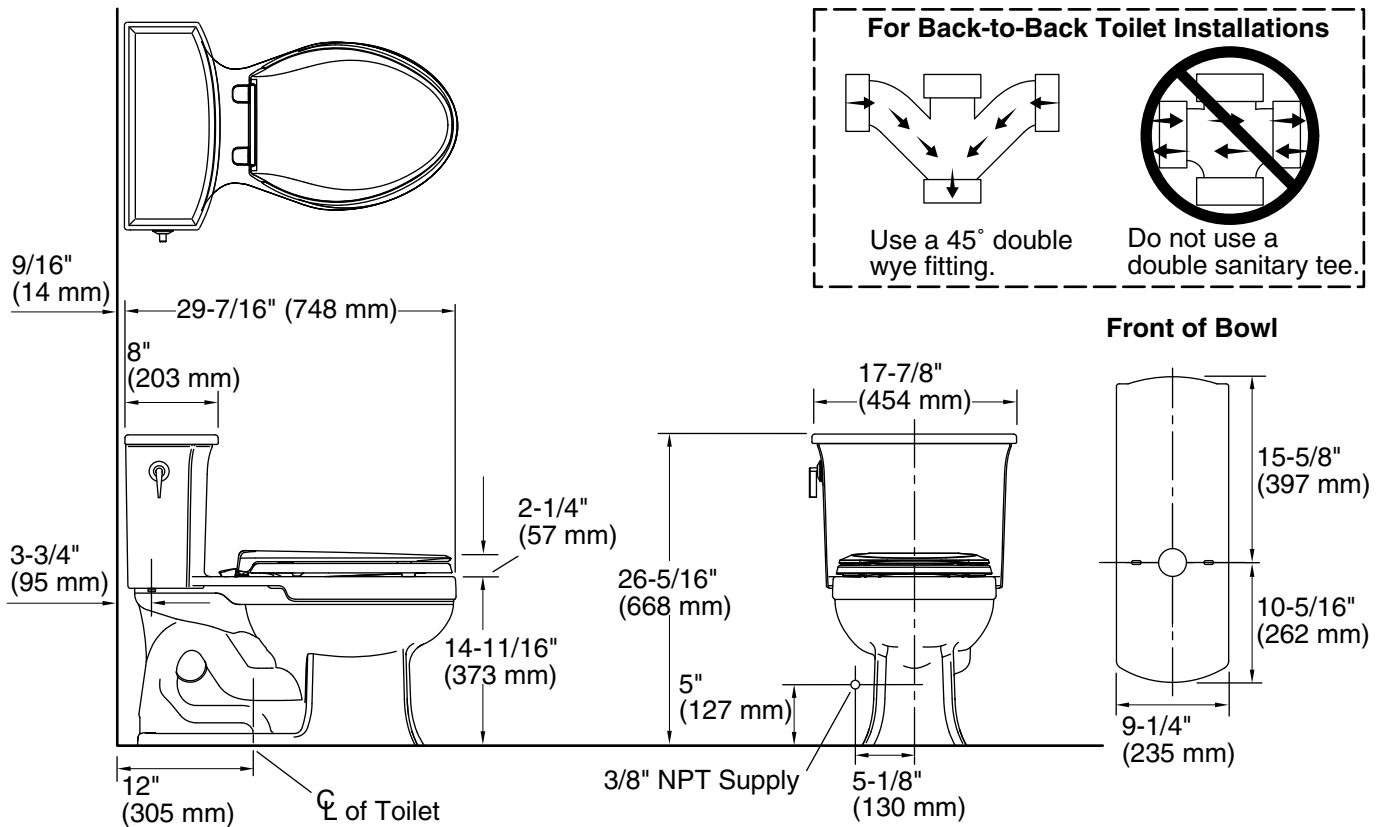
Fixture:	
Configuration	one-piece, elongated
Water per flush	1.28 gpf (4.8 lpf)
Passageway	2-1/8" (54 mm)
Water area	11-1/2" (292 mm) x 8-1/4" (210 mm)
Water depth from rim	5-3/8" (137 mm)
Seat post hole centers	5-1/2" (140 mm)

Included components:	
Tank cover	1046467
Trip lever, left-hand	1067577
Toilet seat	K-4636
Tank accessory pack	52265
Bolt cap accessory pack	52048

## Installation Notes

Install this product according to the installation guide.

**For back-to-back toilet installations:** Use only a 45° double wye fitting.



## Product Diagram