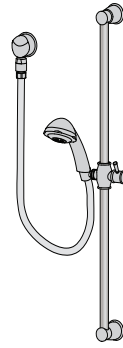


Location:



552HSB Wall Mounted Slide Bar & Hand Shower Specification Submittal




Model Numbers

- 552HSB** Hand shower with wall mounted 30 inch slide bar, flexible hose with in-line vacuum breaker and water supply elbow
- 552HS** Hand shower with wall mounted cradle, flexible hose with in-line vacuum breaker and water supply elbow (slide bar not included)
- PWB** Wall mounted 30 inch slide bar only (Hand shower wand, wall mounted elbow and flexible metal hose are not included)

Feature Highlights

- Wall mounted 30 inch slide bar, lever handle adjustment with three dimensional positioning of hand shower cradle
- Slide bar is all metal commercial, institutional and hospitality grade
- Hand shower includes wand, double check valve, 90 degree wall mounted water supply elbow and standard 5 foot flexible metal hose
- Hand shower wand, 3 modes #552W
- Standard flow rate is 2.0 gpm (7.6 L/min)
- Optional lower flow rate restrictor available
- Modern stainless steel design

Options/ Modifications

- 1.5**  **1.5 gpm (5.7 L/min) flow restrictor**
- STN** **Satin Nickel finish**
- 72** **72" hose in place of 60" hose**
- SBZ** **Seasoned Bronze finish**
- L2** **Less hand shower wand**

Note: Append appropriate -suffix to model number.

Compliance

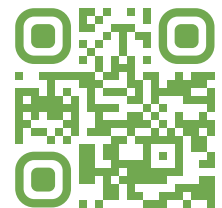
- ASME A112.18.1/CSA B125.1
- ASME A112.18.3-2002



Warranty

Limited Lifetime - to the original end purchaser in consumer/residential installations.

10 Years - for commercial/industrial installations. Refer to www.symmons.com/warranty for complete warranty information.



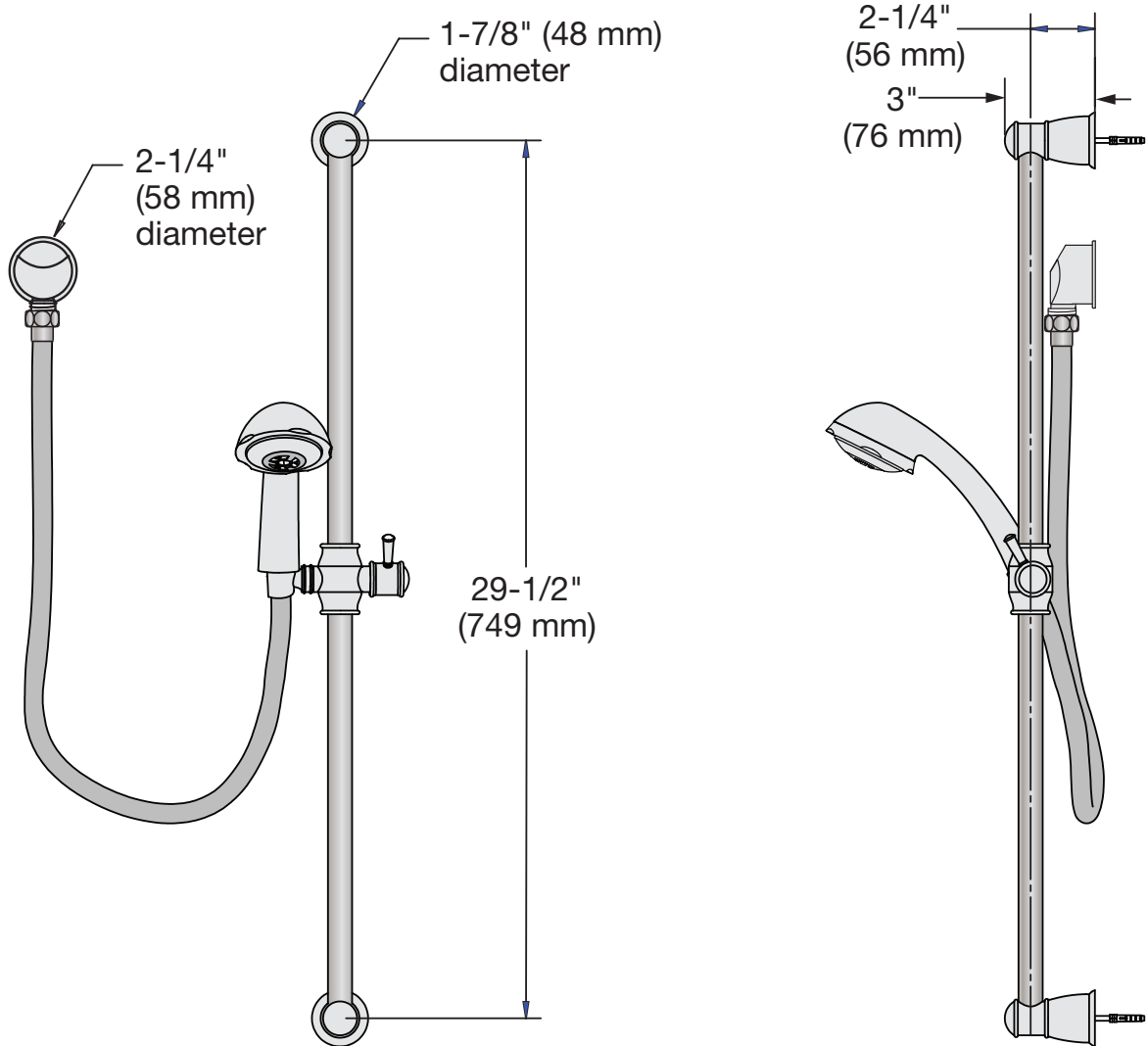
Architectural/ Engineering Specification

Symmons Wall Mounted Slide Bar & Hand Shower _____ Includes Wall mounted 30 inch slide bar, lever handle adjustment with three dimensional positioning of hand shower cradle, Slide bar is all metal commercial, institutional and hospitality grade, Hand shower includes wand, double check valve, 90 degree wall mounted water supply elbow and standard 5 foot flexible metal hose, Hand shower wand, 3 modes #552W, Standard flow rate is 2.0 gpm (7.6 L/min), Optional lower flow rate restrictor available, Modern stainless steel design. 10 Year Commercial Warranty. ASME A112.18.1/CSA B125.1, ASME A112.18.3-2002 compliant. Available options: "1.5 - 1.5 gpm (5.7 L/min) flow restrictor", "STN - Satin Nickel finish", "72 - 72" hose in place of 60" hose", "SBZ - Seasoned Bronze finish", "L2 - Less hand shower wand".



552HSB

Dimensions



Note: Dimensions subject to change without notice.