

MSY-GS30NA2 & MUY-GS30NA2
30,000 BTU/H WALL-MOUNTED INDOOR UNIT
30,000 BTU/H COOLING ONLY OUTDOOR UNIT



Job Name:

System Reference:

Date:



Indoor Unit.....MSY-GS30NA2

Outdoor Unit.....MUY-GS30NA2

INDOOR UNIT FEATURES

- Dual Barrier Coating
- Slim wall-mounted indoor units provide zone comfort control
- The outdoor unit powers the indoor unit, and should a power outage occur, the system is automatically restarted when power returns
- Multiple fan speed options: Low, Medium, High, Super-high
 - Auto and Powerful modes available in addition to the four fan speeds
- Multiple control options available:
 - Back-lit screen handheld remote controller (provided with the unit)
 - kumo cloud® smart device app for remote access
 - Third-party interface options
 - Wired or wireless controllers
- Hot-Start Technology: no cold air rush at equipment startup or when restarting after defrost cycle
- Powerful Operation: quickly cools or heats the room by automatically adjusting fan speed and set temperature for 15 minutes
- Weekly Timer: easily set desired temperatures and operation ON/OFF times to match your lifestyle
- Smart Set: recalls a preferred preset temperature setting at the touch of a button
- Smart Dry Mode: improved moisture removal is achieved by optimizing the control of the indoor fan, compressor, and heat exchanger
- Wide Vane mode provides an airflow of 150° in heating and 100° in cooling
- Nano Platinum Filter: incorporates nanometer-sized platinum-ceramic particles that kill bacteria and deodorize air
- Anti-allergy Enzyme Filter: traps allergens such as molds and bacteria and decomposes them using enzymes

OUTDOOR UNIT FEATURES

- INVERTER-driven compressor and LEV provide high efficiency and comfort while using only the energy needed to maintain maximum performance
- Blue Fin anti-corrosion treatment applied to the outdoor unit heat exchanger for increased coil protection and longer life
 - Rated for 2,000 hours spraying time per ASTM B117 Standard

SPECIFICATIONS: MSY-GS30NA2 & MUY-GS30NA2

| | | | |
|--|--|---------------------|---|
| Cooling at 95°F ¹ | Maximum Capacity | BTU/H | 30,600 |
| | Rated Capacity | BTU/H | 30,600 |
| | Minimum Capacity | BTU/H | 10,300 |
| | Maximum Power Input | W | 3,320 |
| | Rated Power Input | W | 3,320 |
| | Moisture Removal | Pints/h | 7.8 |
| | Sensible Heat Factor | | 0.72 |
| Efficiency | Power Factor [208V / 230V] | % | 98.0 / 98.0 |
| | SEER2 | | 19.2 |
| | EER2 ¹ | | 9.2 |
| | HSPF2 [IV] | | — |
| Electrical | ENERGY STAR® Certified | | No |
| | Voltage, Phase, Frequency | | 208/230, 1, 60 |
| | Guaranteed Voltage Range | V AC | 187 - 253 |
| | Voltage: Indoor - Outdoor, S1-S2 | V AC | 208/230 |
| | Voltage: Indoor - Outdoor, S2-S3 | V DC | 24 |
| | Short-circuit Current Rating [SCCR] | kA | 5 |
| Indoor Unit | Power Supply | | Indoor unit is powered by the outdoor unit |
| | MCA | A | 1.0 |
| | Fan Motor Full Load Amperage | A | 0.76 |
| | Fan Motor Output | W | 56 |
| | Airflow Rate at Cooling, Dry | CFM | 379–613–710–932 |
| | Airflow Rate at Cooling, Wet | CFM | 341–552–639–839 |
| | Sound Pressure Level [Cooling] | dB[A] | 34–42–49–53 |
| | Drain Pipe Size | In. [mm] | 5/8 [16] |
| | Coating on Heat Exchanger | | — |
| | External Finish Color | | White(Munsell 1.0Y 9.2/0.2) |
| | Unit Dimensions | W x D x H: In. [mm] | 46-1/16 x 11-5/8 x 14-3/8 [1,170 x 295 x 365] |
| | Package Dimensions | W x D x H: In. [mm] | 51 x 18-1/2 x 14-1/4 [1,300 x 470 x 360] |
| | Unit Weight | Lbs. [kg] | 45 [20] |
| Package Weight | Lbs. [kg] | 52 [23] | |
| Indoor Unit Operating Temperature Range | Cooling Intake Air Temp [Maximum / Minimum]* | °F | 90 DB, 73 WB / 67 DB, 57 WB |
| Outdoor Unit | MCA | A | 22.0 |
| | Fan Motor Full Load Amperage | A | 0.93 |
| | Fan Motor Output | W | 50 |
| | External Finish Color | | Munsell 3Y 7.8/1.1 1 |
| | Unit Dimensions | W x D x H: In. [mm] | 33-1/16 x 13 x 34-5/8 [840 x 330 x 880] |
| | Package Dimensions | W x D x H: In. [mm] | 38-3/4 x 16-3/4 x 39 [980 x 420 x 990] |
| | Unit Weight | Lbs. [kg] | 122 [55] |
| Outdoor Unit Operating Temperature Range | Package Weight | Lbs. [kg] | 138 [63] |
| | Cooling Air Temp [Maximum / Minimum]* | °F | 115 DB / 14 DB |
| Refrigerant | Cooling Thermal Lock-out / Re-start Temperatures** | °F | -4 / 0 |
| | Type | | R410A |
| Piping | Gas Pipe Size O.D. [Flared] | In.[mm] | 5/8 [15.88] |
| | Liquid Pipe Size O.D. [Flared] | In.[mm] | 1/4 [6.35] |

NOTES:

AHRI Rated Conditions (Rated data is determined at a fixed compressor speed)

| | | |
|--|----|------------------------------|
| ¹ Cooling (Indoor // Outdoor) | °F | 80 DB, 67 WB // 95 DB, 75 WB |
| ² Heating at 47°F (Indoor // Outdoor) | °F | 70 DB, 60 WB // 47 DB, 43 WB |
| ³ Heating at 17°F (Indoor // Outdoor) | °F | 70 DB, 60 WB // 17 DB, 15 WB |

*Indoor/Outdoor Unit Operating Temperature Range (Cooling Air Temp [Maximum / Minimum]):

- Applications should be restricted to comfort cooling only; equipment cooling applications are not recommended for low ambient temperature conditions.

**Outdoor Unit Operating Temperature Range (Cooling Thermal Lock-out / Re-start Temperatures):

- System cuts out in heating mode to avoid thermistor error and automatically restarts at these temperatures.

INDOOR UNIT ACCESSORIES: MSY-GS30NA2

| | | |
|----------------------------|---|-------------------|
| Control Interface | IT Extender | PAC-WHS01IE-E |
| | kumo station® for kumo cloud® | PAC-WHS01HC-E |
| | Procon BACnet® and Modbus® Interface | PAC-UKPRC001-CN-1 |
| | System Control Interface | MAC-334IF-E |
| | Thermostat Interface | PAC-US445CN-1 |
| | USNAP Adapter | PAC-WHS01UP-E |
| | Wireless Interface for kumo cloud® | PAC-USWHS002-WF-2 |
| Remote Sensor | Wired Remote Sensor | M21EAA307 |
| | Wireless temperature and humidity sensor for kumo cloud® | PAC-USWHS003-TH-1 |
| Wired Remote Controller | Deluxe Wired MA Remote Controller† | PAR-40MAAU |
| | Simple Ductless Wired Remote Controller | PAC-SDW01RC-1 |
| | Simple MA Remote Controller† | PAC-YT53CRAU-J |
| | Touch MA Controller† | PAR-CT01MAU-SB |
| Wireless Remote Controller | kumo touch™ RedLINK™ Wireless Controller | MHK2 |
| | Lockdown bracket for remote controller | RCMKP1CB |
| Condensate | Blue Diamond (Advanced) Mini Condensate Pump w/ Reservoir & Sensor (208/230V) [recommended] | X87-721 |
| | Blue Diamond (MegaBlue Advanced) Condensate Pump w/ Reservoir & Sensor | X87-835 |
| | Blue Diamond Alarm Extension Cable — 6.5 Ft. | C13-192 |
| | Blue Diamond MultiTank — collection tank for use with multiple pumps | C21-014 |
| | Blue Diamond Sensor Extension Cable — 15 Ft. | C13-103 |
| | Drain Pan Level Sensor/Control | SS610E |
| | Refco Condensate Pump (100-240 VAC) | GOBI-II |
| | Refco Condensate Pump (100-240 VAC) up to 120,000 BTU/H | COMBI |
| | Sauerermann Condensate Pump | SI30-230 |
| Disconnect Switch | (30A/600V/UL) [fits 2" X 4" utility box] - Black | TAZ-MS303 |
| | (30A/600V/UL) [fits 2" X 4" utility box] - White | TAZ-MS303W |
| Lineset | 100' x 1/4" x 100' x 5/8" Lineset (Twin-Tube Insulation) | MLS145812T-100 |
| | 15' x 1/4" x 15' x 5/8" Lineset (Twin-Tube Insulation) | MLS145812T-15 |
| | 30' x 1/4" x 30' x 5/8" Lineset (Twin-Tube Insulation) | MLS145812T-30 |
| | 50' x 1/4" x 50' x 5/8" Lineset (Twin-Tube Insulation) | MLS145812T-50 |
| | 65' x 1/4" x 65' x 5/8" Lineset (Twin-Tube Insulation) | MLS145812T-65 |

NOTES:

†Requires MAC-334IF-E

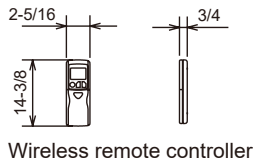
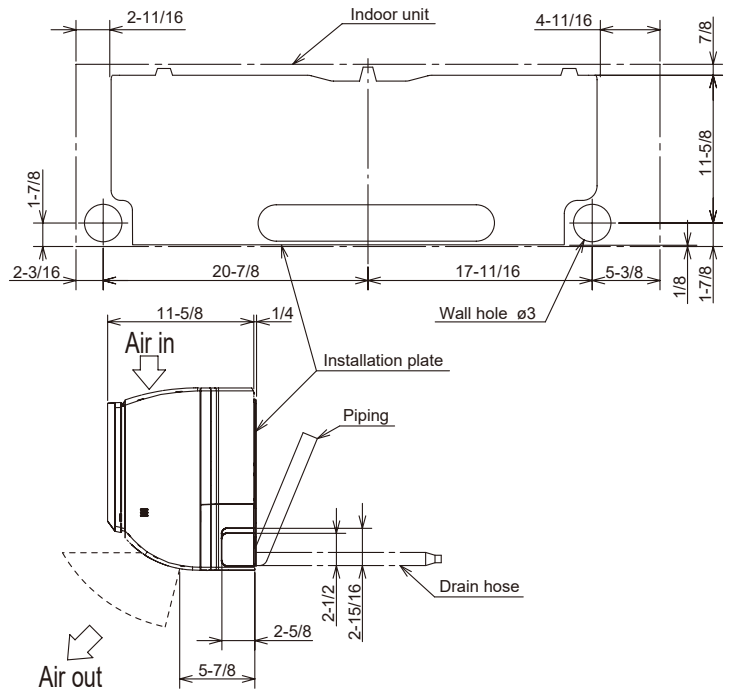
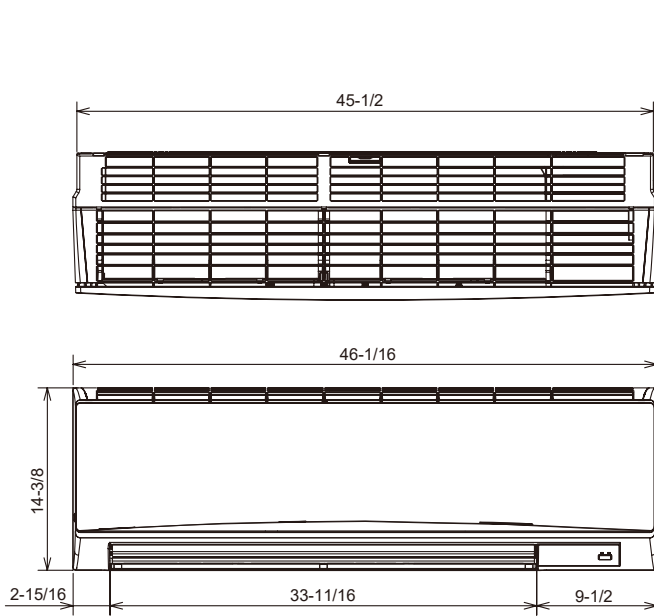
- M-Series EZ FIT® Recessed Ceiling Cassette, Floor-mount and Wall-mount
Allows indoor units to connect to an MA Controller:
 - Deluxe MA Remote Controller
 - Simple MA Controller
 - Touch MA Controller

OUTDOOR UNIT ACCESSORIES: MUY-GS30NA2

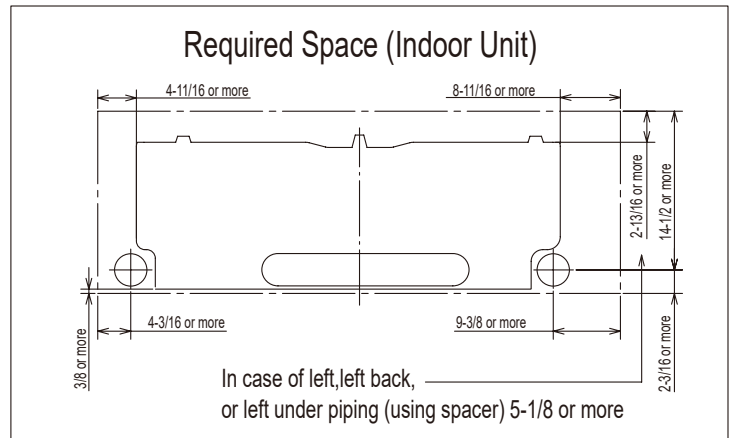
| | | |
|----------------------|--|----------------|
| Air Outlet Guide | Air Outlet Guide | MAC-890SG-E |
| Control/Service Tool | M- & P-Series Maintenance Tool Cable Set | M21EC0397 |
| | Maintenance Tool Interface | PAC-USCMS-MN-1 |
| Drain Socket | Drain Socket | MAC-871DS |
| Hail Guards | Hail Guard | HG-A7 |
| Mini-Split Wire | 14 Gauge, 4 wire MiniSplit Cable—250 ft. roll | SW144-250 |
| | 14 Gauge, 4 wire MiniSplit Cable—50 ft. roll | SW144-50 |
| | 16 Gauge, 4 wire MiniSplit Cable—250 ft. roll | SW164-250 |
| | 16 Gauge, 4 wire MiniSplit Cable—50 ft. roll | SW164-50 |
| Mounting Pad | Condensing Unit Mounting Pad: 16" x 36" x 3" | ULTRILITE1 |
| | Outdoor Unit 3-1/4 inch Mounting Base (Pair) - Plastic | DSD-400P |
| Stand | 18" Single Fan Stand | QSMS1801M |
| | 24" Single Fan Stand | QSMS2401M |
| | Condenser Wall Bracket | QSWB2000M-1 |
| | Condenser Wall Bracket - Stainless Steel Finish | QSWBSS |
| | Outdoor Unit Stand — 12" High | QSMS1201M |

INDOOR UNIT DIMENSIONS: MSY-GS30NA2

Unit : inch



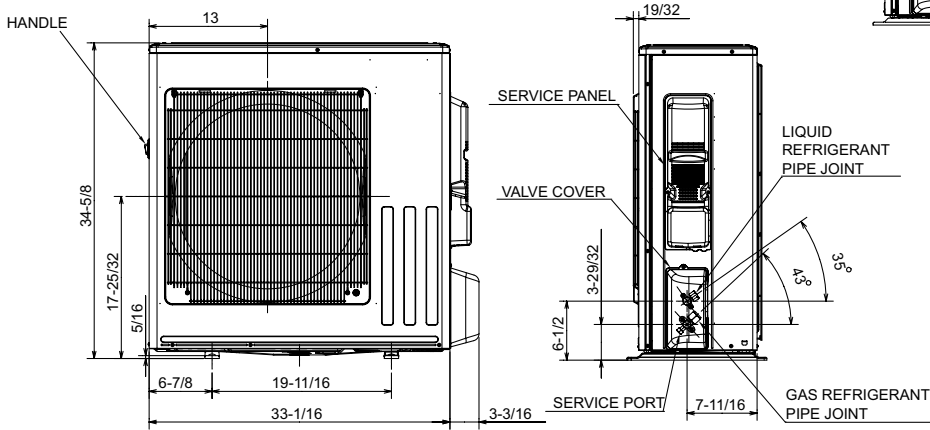
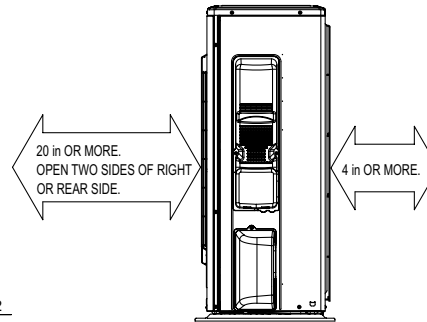
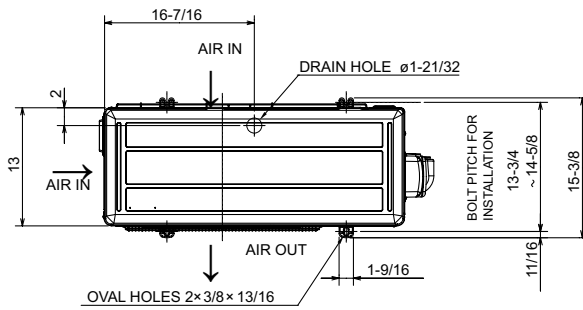
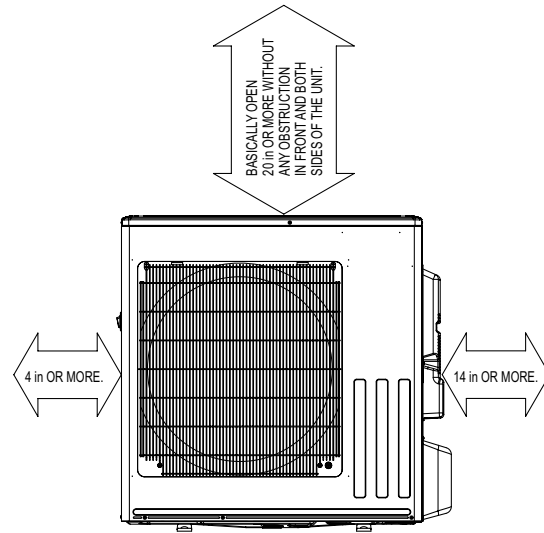
| | PIPING | INSULATION |
|-------------|--|---|
| LIQUID LINE | $\phi 3/8 - 19 - 11/16$ (FLARED CONNECTION $\phi 1/4$) | $\phi 1 - 1/4$ O.D $\phi 9/16$ I.D |
| GAS LINE | $\phi 15/32 - 17 - 13/16$ (FLARED CONNECTION $\phi 5/8$) | $\phi 1 - 7/16$ O.D $\phi 13/16$ I.D |
| DRAIN HOSE | INSULATION $\phi 1 - 1/8$ CONNECTED PART $\phi 5/8$ O.D | |



OUTDOOR UNIT DIMENSIONS: MUY-GS30NA2

Unit: inch

REQUIRED SPACE



| | | |
|------------------------|------------------------|----------------------------|
| REFRIGERANT PIPE JOINT | LIQUID REFRIGERANT PPE | FLARED $\phi 6.35$ (1/4") |
| | GAS REFRIGERANT PPE | FLARED $\phi 15.88$ (5/8") |

1340 Satellite Boulevard Suwanee, GA 30024
Toll Free: 800-433-4822 www.mehvac.com

