

# SMIN-3060 AcrylX Alcove Bathtub

**Model number:**

141418-000-002-002

**Dimensions:** 60" x 31.25" x 17.5"

**Installation:** Alcove

**Material:** AcrylX™

## Standard Features:

- Modern minimalist and comfortable design
- Integrated flat skirt and tiling flange
- Textured bottom
- Available in Above-the-Floor Rough (AFR) or not

## Product characteristics:

- Integrated Tiling Flange and Skirt
- Modern minimalist design
- Textured Floor



## Standard Colors:



White



Bone



Biscuit

## Certifications

AKER products adhere to one or more of the following certifications:



# SMIN-3060 AcrylX Alcove Bathtub

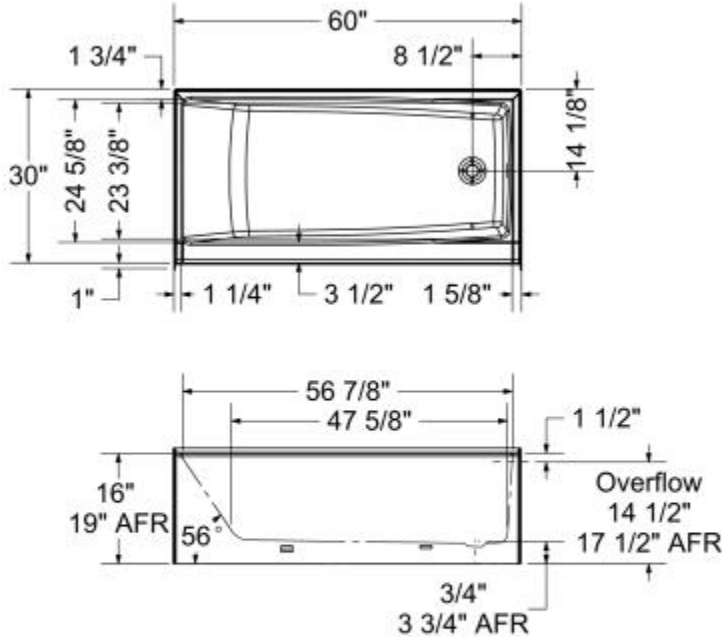
**Model number:**

141418-000-002-002

**Dimensions:** 60" x 31.25" x 17.5"

**Installation:** Alcove

**Material:** AcrylX™



## Dimensions

60 x 31 1/4 x 17 1/2 In.  
(1524 x 794 x 445 mm)

## Water Capacity

51 gallons - 193 liters

## Weight

71 lbs - 32 1/4 kg

## Bathing Well

47 3/4 In. x 23 1/2 In.  
(1210 mm x 594 mm)

## Deck Width

3.5 In. - 89 mm

## Drain location:

Left

Right

All dimensions are approximate. Structure measurements must be verified against the unit to ensure proper fit.

Project:

Contractor:

Representative:

Date:

Tel:

Notes:

