

**SHOWERHEAD
K-10282
ALSO K-10284**

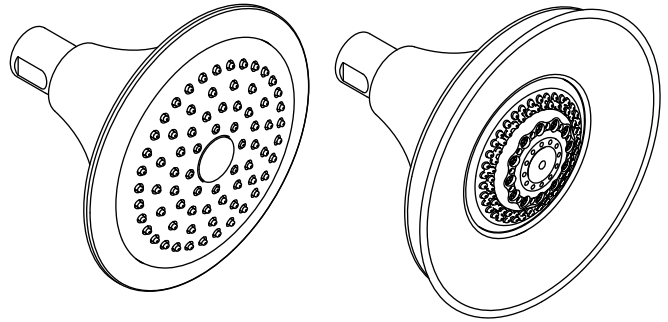
Features

- MasterClean™ spray nozzles prohibit mineral build-up
- Complements Forté® faucet line
- 1/2" - 14 NPT connection
- 2.5 gallons (9.5 L) per minute flow rate
- Single-function spray with 72 individual MasterClean spray nozzles
- Full-coverage, therapeutic massage, soft-aerated spray, and water-saving eco spray options

Codes/Standards Applicable

Specified model meets or exceeds the following:

- ASME A112.18.1/CSA B125.1
- Energy Policy Act of 2005



K-10282

K-10284

Colors/Finishes

- CP: Polished Chrome
- Other: Refer to Price Book for additional colors/finishes

Accessories

- CP: Polished Chrome
- PB: Vibrant® Polished Brass
- Other: Refer to Price Book for additional colors/finishes

Specified Model

Model	Description	Colors/Finishes	
K-10282	Single-function showerhead	<input type="checkbox"/> CP	<input type="checkbox"/> Other ____
K-10284	Multi-function showerhead	<input type="checkbox"/> CP	<input type="checkbox"/> Other ____

Recommended Accessories				
K-7397	Shower arm and flange – 7-1/2" (137 mm) length, 1/2" NPT	<input type="checkbox"/> CP	<input type="checkbox"/> PB	<input type="checkbox"/> Other ____
K-16133	Shower arm	<input type="checkbox"/> CP	<input type="checkbox"/> PB	<input type="checkbox"/> Other ____

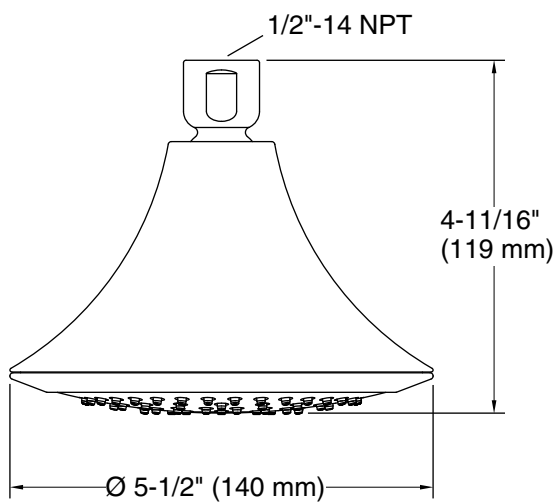
Product Specification

Showerhead shall feature a 1/2" - 14 NPT connection. Showerhead shall feature MasterClean spray nozzles to prohibit mineral build-up. Showerhead shall have a 2.5 gallon (9.5 L) per minute flow rate. Showerhead shall be available as a single-function spray with 72 individual MasterClean spray nozzles [K-10282]. Showerhead shall be available with a multi-function spray featuring full-coverage, therapeutic massage, soft-aerated spray, and water-saving eco spray options [K-10284]. Showerhead complements the Forté faucet line. Showerhead shall be Kohler Model K-____-____.

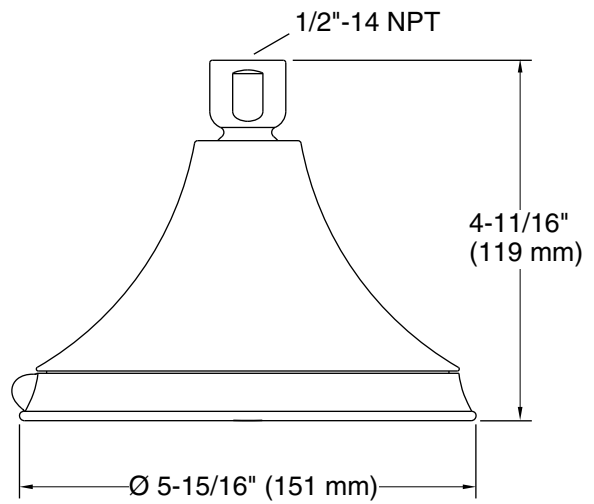
FORTÉ®

Installation Notes

Install this product according to the installation guide.



K-10282



K-10284

Product Diagram