

26-1003PLF Angle Supply Valve

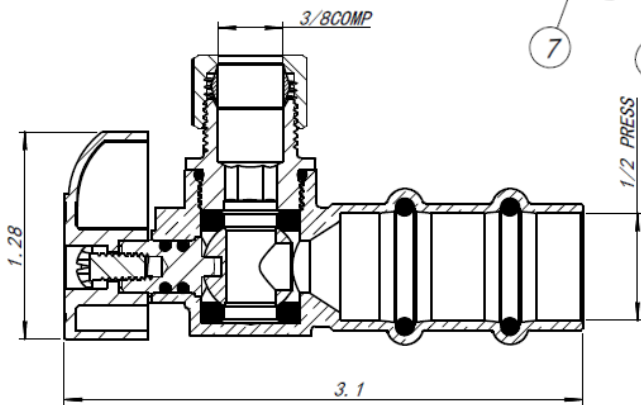
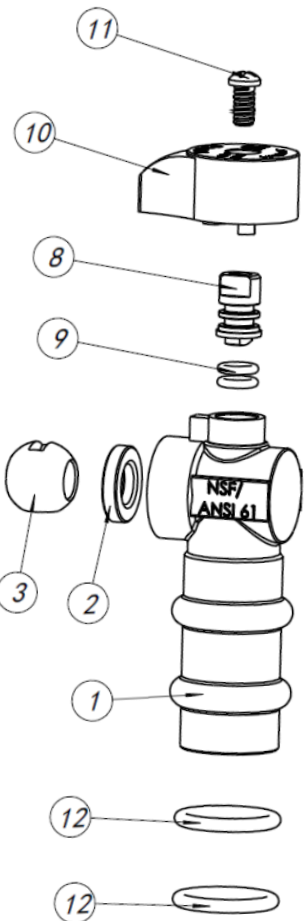
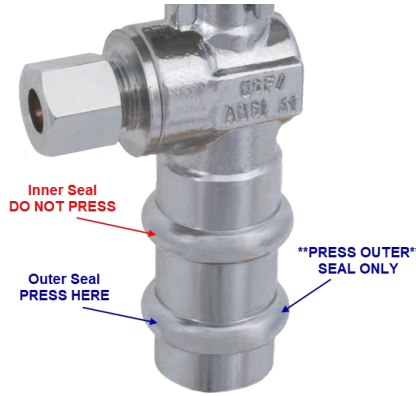
Specification Sheet

FEATURES & BENEFITS

- Chrome Plated Lead Free Brass
- 1/4 Turn
- One Piece Body
- Double O-Ring Design
- cUPC, NSF/ANSI 61 Certified
- Temp. Rating: 32°F - 160°F
- 1/2" Press x 3/8" Compression

MATERIAL SPECIFICATIONS

No.	Part	Material	QTY
1	Body	Brass C46500	1
2	Packing	PTFE	2
3	Ball	Brass C46500	1
4	O-Ring	NBR	1
5	Outlet Nut	Brass C46500	1
6	Sleeve	Brass C27400	1
7	Packing Nut	Brass C38500	1
8	Stem	Brass C37000	1
9	O-Ring	NBR	2
10	Handle	Zinc Alloy	1
11	Bolt	FE	1
12	O-Ring	EPDM	2



MATCO-NORCA
 Global sourcing. National compliance. Local service.