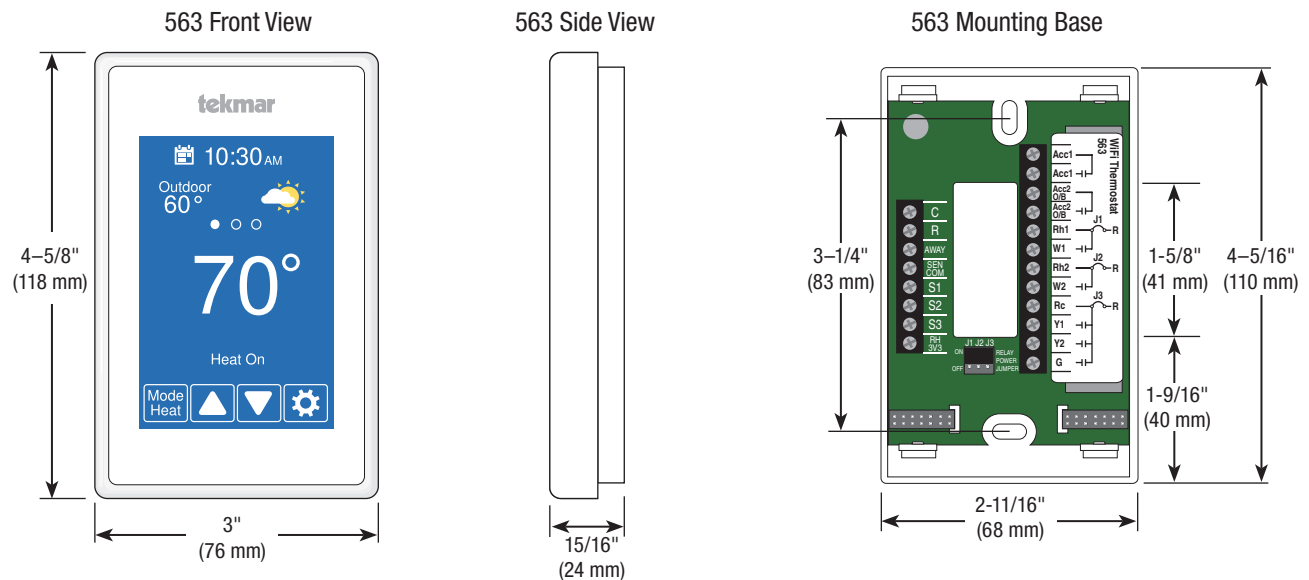


Submittal

Job _____ Designer _____ Contact _____

WiFi Thermostat 563

The WiFi Thermostat 563 operates either a multi-stage conventional or heat pump HVAC system, a fan, and up to two accessories, including a humidifier, dehumidifier and ventilator. When connected to the Internet, the Watts® Home mobile allows the thermostat to be controlled remotely. A 7-day, 4-event programmable schedule is available and the early start feature automatically learns to heat up the room by the scheduled time. An Away mode is quickly and easily accessed to provide energy savings when the space is unoccupied. An optional floor sensor can be installed to enhance comfort and protect floor coverings when operating radiant floor heating systems.



Features

- Mobile app for iOS and Android
- Optional remote floor, room, outdoor & relative humidity sensors
- Automatic software updates
- Outdoor temperature
- Local weather
- Error and warning notifications
- Time clock updated from Internet
- 7 day programmable schedule
- Away energy savings mode
- Early start
- Energy monitoring
- Multiple background colors
- Humidifier window frost protection
- Conventional systems:
 - 2-stage heating, 2-stage cooling, fan and 2 accessories
- Heat pump systems:
 - 4-stage heating, 2-stage cooling, fan, reversing valve and 1 accessory
- Supports dual fuel systems
- Accessory options:
 - Humidifier, dehumidifier, HRV/ERV ventilator, water-source heat pump loop valve

Specifications

WiFi Thermostat 563 Conventional 2H/2C or Heat Pump 4H/2C	
Literature	563_C, 563_D, 563_J, 563_U
Control	Microprocessor control. This is not a safety (limit) control.
Packaged weight	0.7 lb. (300 g)
Dimensions	4-5/8" H x 3" W x 15/16" D (118 x 76 x 24 mm)
Display	3.5" color touchscreen
Enclosure	White PVC plastic, NEMA type 1
Approvals	Meets Class B: ICES & FCC Part 15
Ambient conditions	Indoor use only, 32 to 122°F (0 to 50°C), RH ≤90% non-condensing
Environmental	Do not use in presence of ammonia (animal barns).
Power supply	15 to 30 V (ac/dc), 2 VA, Class 2
Relays	30V (ac/dc), 2 A, Class 2 circuits
Humidity sensor	0 to 90% ±4% RH
Temperature sensor	NTC thermistor, 10 kΩ @ 77°F (25°C ±0.2°C) β=3892
-Included	None
-Optional	tekmar type # 070, 072, 073, 076, 077, 079, 084, 086, 087
Communications	WiFi 802.11n, 2.4 GHz, WPA2 encryption
Mobile app	Apple iOS 12 or higher, Android 8 or higher
Languages	English/Français/Español
Warranty	Limited 3 Year (See 563_D for full warranty)

tekmar product specifications in U.S. customary units and metric are approximate and are provided for reference only. For precise measurements, please contact tekmar Technical Service. Watts reserves the right to change or modify product design, construction, specifications, or materials without prior notice and without incurring any obligation to make such changes and modifications on tekmar products previously or subsequently sold.

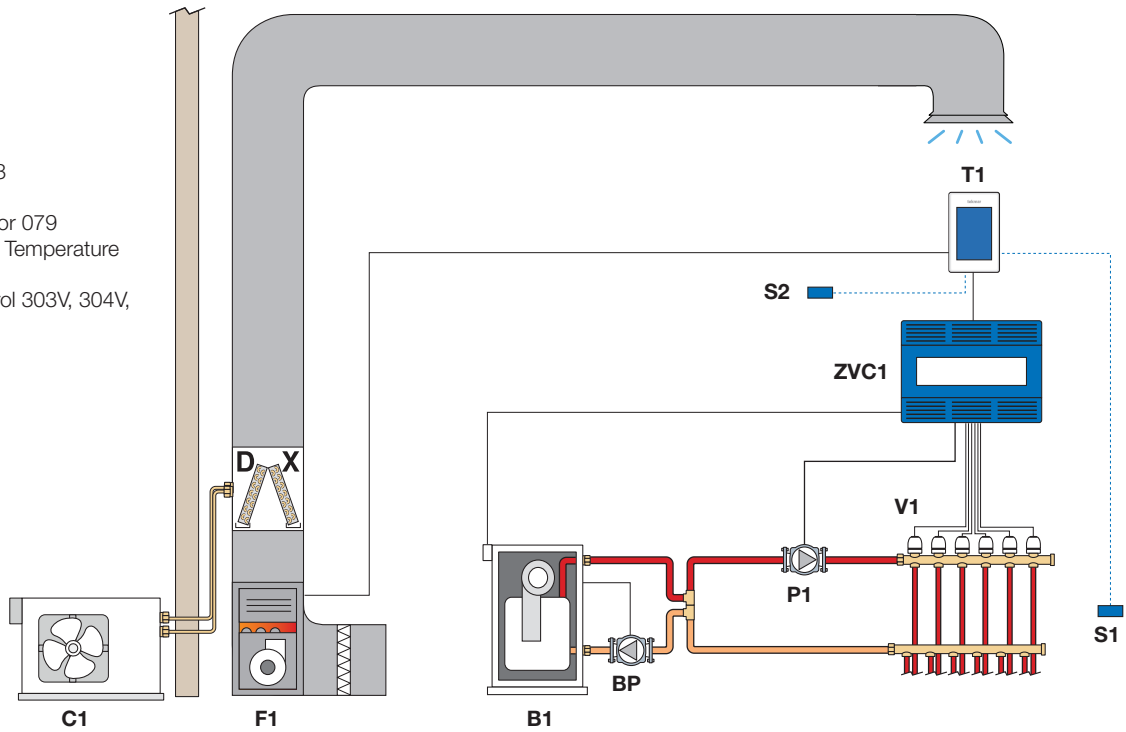
tekmar[®]
A WATTS Brand

Sample Application Drawing

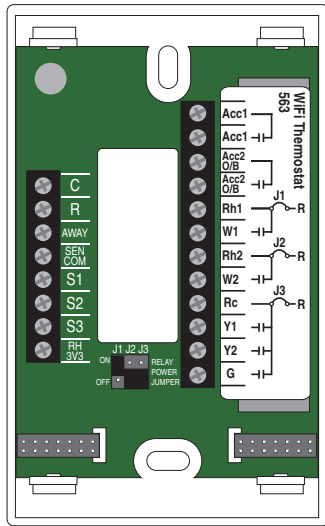
Sample Mechanical diagram

Legend

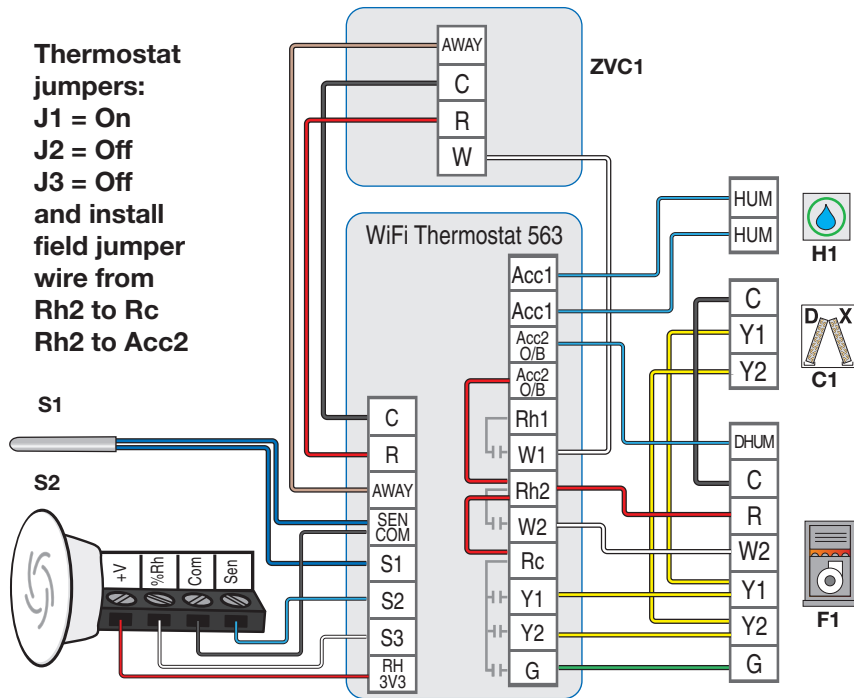
- B1 = Boiler
- BP = Boiler Pump
- C1 = Air Conditioner
- F1 = Furnace
- P1 = Manifold Pump
- T1 = WiFi Thermostat 563
- V1 = Zone Valve
- S1 = Optional Floor Sensor 079
- S2 = Optional Humidity & Temperature Sensor 086
- ZVC1 = Zone Valve Control 303V, 304V, 305V, 306V



Sample Electrical diagram



Thermostat jumpers:
J1 = On
J2 = Off
J3 = Off
and install field jumper wire from Rh2 to Rc
Rh2 to Acc2



NOTICE

The information contained herein is not intended to replace the full product installation and safety information available or the experience of a trained product installer. You are required to thoroughly read all installation instructions and product safety information before beginning the installation of this product.



A WATTS Brand

T: 1-800-438-3903 • F: (250) 984-0815
 tekmarControls.com