



DESCRIPTION

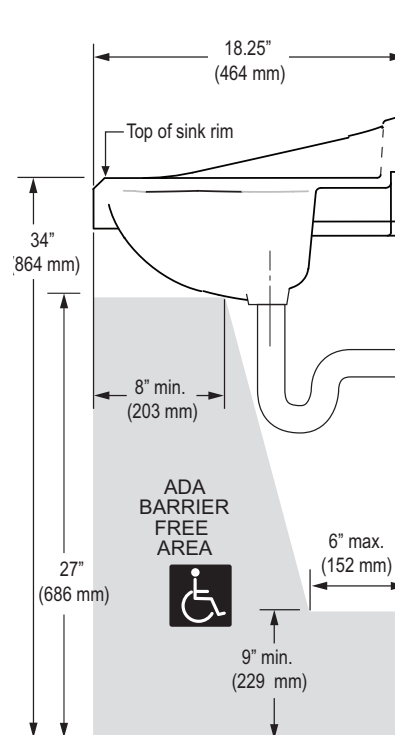
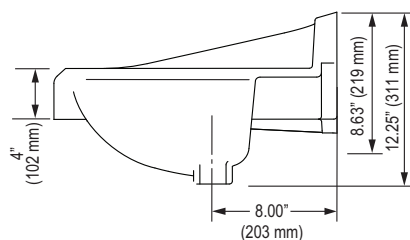
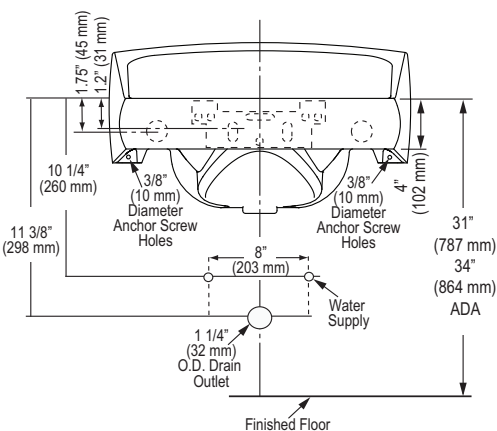
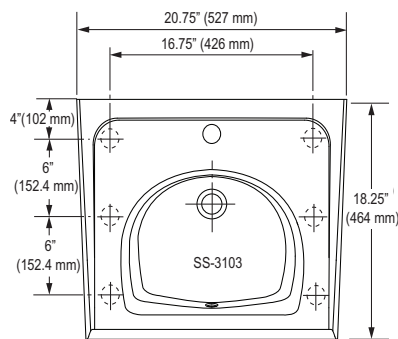
Complete vitreous china lavatory with backsplash
 Model SS-3103



SPECIFICATIONS

Lavatory

- White vitreous china
- Wall mount
- Hanging hardware
- Backsplash
- Single hole centerset
- Overflow
- ADA compliant when mounted with deck at 34" from finished floor. See illustration for recommended ADA installation
- 20.75" (527 mm) x 18.25" (464 mm)
- Compliant to the applicable sections of ASME A112.19.2/CSA B45.1
- Carrier not included
- Compatible with:
 Jay R. Smith- 0700 series lavatory carrier or equal
 Josam- 17100-202 series lavatory carrier or equal
 Watts TCA-411 concealed arm "track" carrier or equal
 Watts-WCA-411 carrier with concealed arms or equal



Product Specification
 Sink shall be made of vitreous china. Sink shall have a single hole centerset. Sink shall be wall mounted. Sink shall have an overflow. Sink shall be Sloan Model SS-3103.

Important: Fixture dimensions are nominal and may vary slightly from drawings.

| This space for Architect/Engineer approval | |
|--|----------|
| Job Name | Date |
| Model Specified | Quantity |
| Variations Specified | |
| Customer/Wholesaler | |
| Contractor | |
| Architect | |

The information contained in this document is subject to change without notice.



Sloan Valve Company is buying renewable energy certificates to meet 100% of the company's purchased electricity use at its Franklin Park, Illinois facility.

SLOAN®

Sloan Valve Company
 10500 Seymour Avenue
 Franklin Park, IL 60131
 Phone: 1-800-9-VALVE-9 (982-5839)
 or 1-847-671-4300
 Fax: 1-800-447-8329 or 1-847-671-4380
 www.sloanvalve.com

Copyright © 2010 Sloan Valve Company
 08/10 Rev. 1a