



Highcliff™ Ultra

Elongated Flushometer Bowl - Bedpan Lugs

K-96057-L

Features

- Elongated bowl
- 1-1/2" top spud.
- Bedpan lugs.
- Also available with antimicrobial finish K-96057-SSL.
- Glazed 2-1/8" trapway.
- 10" x 7" water surface size.

Material

- Vitreous china.

Technology

- Design to outperform the competition in bowl cleanliness and plug resistance.
- Maximum waste removal.
- Engineered for toilet seat cover removal.
- Excellent bowl rinse.
- Engineered to flush effectively in buildings with low supply pressure and flow.
- Maximum drainline carry at all flush volumes per ASME Standard.

Installation

- 26-1/8" L x 14-5/8" W x 16-5/8" H
- 10" or 12" rough-in.
- Replaces Highcrest K-4302-L, Highcliff K-4368-L and Highline K-4405-L. Height and footprint may vary.

Water Conservation & Rebates

- 1.1 to 1.6 gpf flush range (1.1, 1.28 and 1.6 gpf).

Included Components

Additional Components:

- Bolt cap accessory pack
- Spud



ADA **CSA B651** **OBC**

Codes/Standards




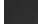
ASME A112.19.2/CSA B45.1
DOE - Energy Policy Act 1992
EPA WaterSense®
California Energy Commission (CEC)
ADA
ICC/ANSI A117.1
CSA B651
OBC

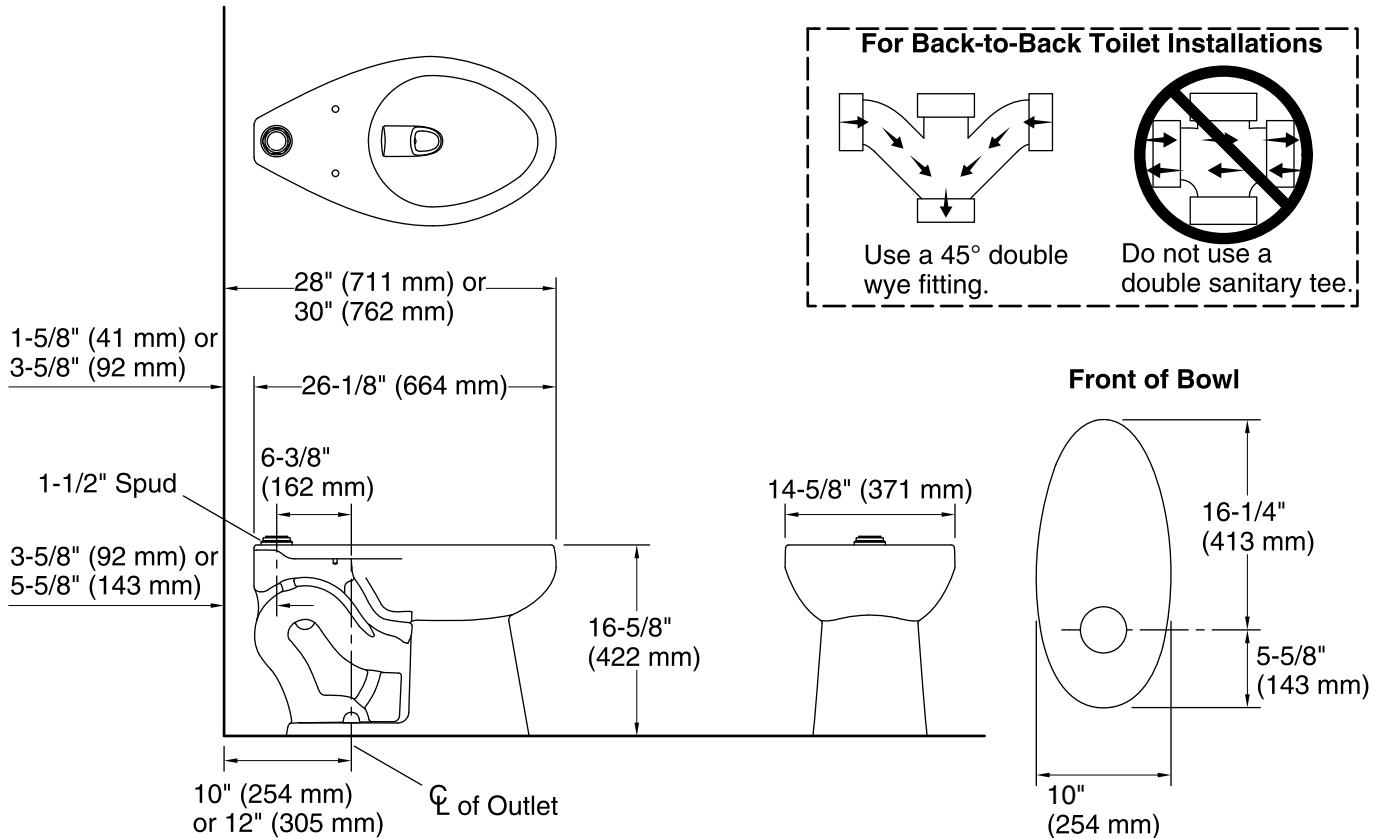
KOHLER® One-Year Limited Warranty

See website for detailed warranty information.

Available Colors/Finishes

Color tiles intended for reference only.

Color	Code	Description
	0	White
	96	Biscuit
	47	Almond
	7	Black Black™



Technical Information

All product dimensions are nominal.

Toilet type:	Flushometer, Floor-mount
Waste Outlet:	Floor
Bowl shape:	Elongated
Flush type:	Flushometer valve siphon
Spud size:	1-1/2", Inlet, Top
Trap passageway:	2-1/8" (54 mm)
Water Consumption	
Full:	1.1 gpf (4.3 lpf) or 1.28 gpf (4.8 lpf) or 1.6 gpf (6 lpf)
Water surface size:	10" x 7" (254 mm x 178 mm)
Rim to water surface:	6" (152 mm)
Rough-in:	12" (305 mm)
Seat-mounting holes:	5-1/2" (140 mm)

Fixture Supply Requirements

Min static pressure:	35 psi (241.3 kPa)
Max static pressure:	80 psi (551.6 kPa)
Min flowing pressure:	25 psi (172.4 kPa)
Min flow rate:	25 gpm (94.6 lpm)

Notes

Install this product according to the installation instructions.

For back-to-back toilet installations: Use only a 45° double wye fitting.

Requires flushometer valve to match desired water consumption 1.1 gpf (4.3 lpf) or 1.28 gpf (4.8 lpf) or 1.6 gpf (6 lpf).

ADA, OBC, CSA B651 compliant when installed to the specific requirements of these regulations.

Plumbing codes may require elongated toilets and elongated, open-front seats in public bathrooms.

Accessibility standards may require controls to be located on the open side of the toilet.