

## Features

- A single handle controls both on/off activation and temperature setting.
- 5-1/16" (129 mm) spout reach.
- 1.2 gpm (4.5 lpm) maximum flow rate at 60 psi (4.14 bar).
- KOHLER ceramic disc valves exceed industry longevity standards for a lifetime of durable performance.
- Clicker drain with tailpiece and overflow.
- Coordinates with other products in the Bellera collection.

## Material

- Premium material construction for durability and reliability.
- KOHLER finishes resist corrosion and tarnishing.

## Installation

- For single-hole or 4" (102 mm) centerset installation (escutcheon plate included).
- Deck-mount.
- Preattached flexible supply lines simplify installation.

## Water Conservation & Rebates

- This product can help a building earn Water Efficiency points in LEED® Green Building Rating System.

## Recommended Products/Accessories

- K-23726 Drain treatment
- K-23723 Faucet cleaner
- K-27383 18" towel bar
- K-27384 24" towel bar
- K-27385 Robe hook
- K-27386 Towel ring
- K-27387 Pivoting toilet paper holder



**ADA** **CSA B651** **OBC**

## Codes/Standards




ASME A112.18.1/CSA B125.1  
NSF/ANSI 61  
NSF/ANSI 372  
All applicable US Federal and State material regulations  
DOE - Energy Policy Act 1992  
EPA WaterSense®  
California Energy Commission (CEC)  
ADA  
ICC/ANSI A117.1  
CSA B651  
OBC

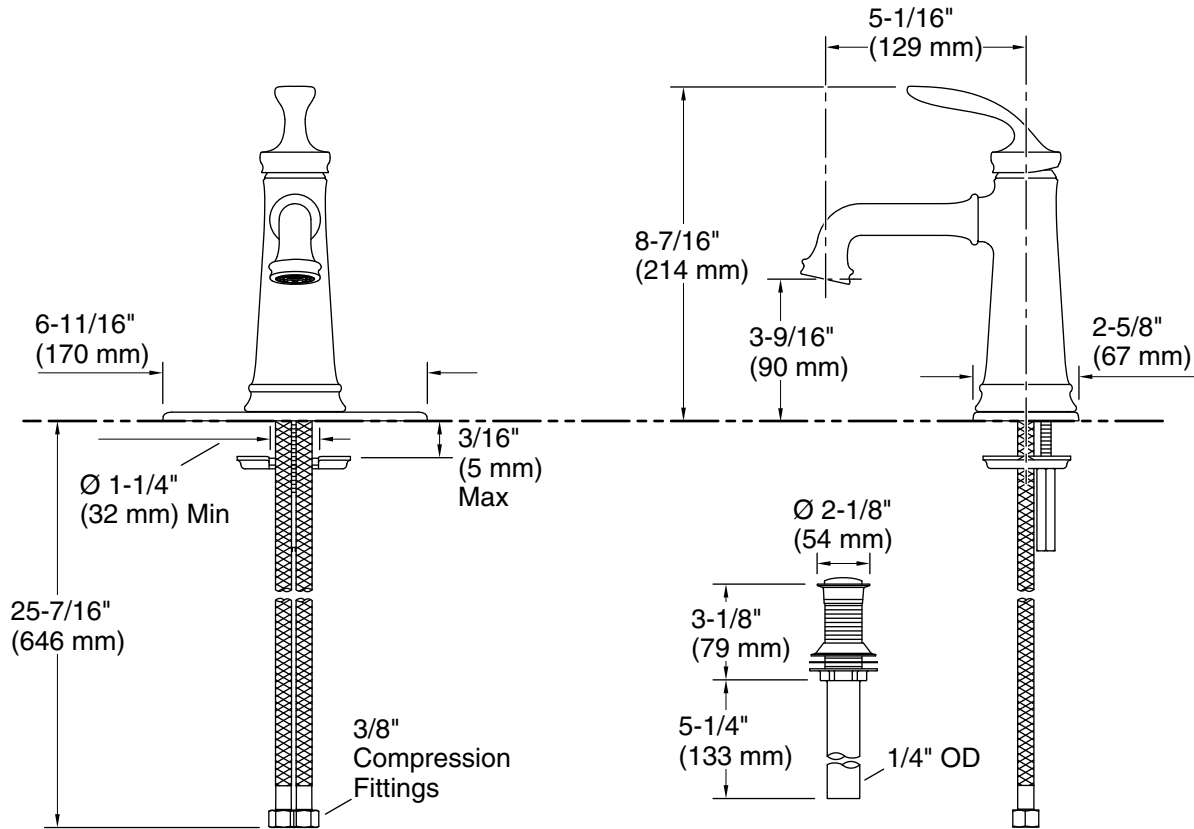
## KOHLER® Faucet Lifetime Limited Warranty

See website for detailed warranty information.

## Available Colors/Finishes

*Color tiles intended for reference only.*

Color	Code	Description
	CP	Polished Chrome
	BN	Vibrant® Brushed Nickel
	2BZ	Oil-Rubbed Bronze



### Technical Information

All product dimensions are nominal.

Drain included: Yes

### Notes

Install this product according to the installation instructions.

ADA, OBC, CSA B651 compliant when installed to the specific requirements of these regulations.