

## For Residential and Commercial Applications

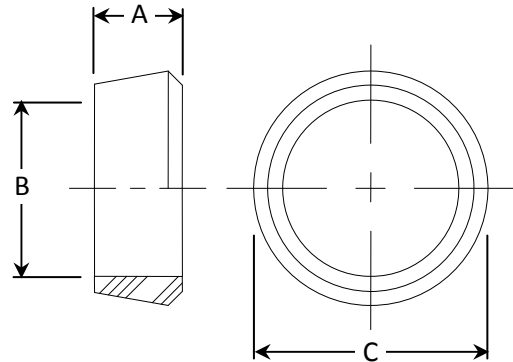
Job Name		Engineer / Architect	
Job Location		Wholesaler	
Submittal Date		Contractor	

### 60PT Series Plastic Compression Sleeves

**Use:** For use with PEX, vinyl and polyethylene tubing in potable water distribution systems. Not intended for use with steel, copper or aluminum tubing

**Operating Specifications:**

**Temperature:** 40° - 180° F  
**Pressures:** 125 psi maximum



MATERIAL SPECIFICATIONS	
Compression Sleeve	POM

PART DIMENSIONS (Inches)			
Model	DIM. A	DIA. B	DIA. C
60PT-4	.19	.237	.375
60PT-5	.19	.319	.437
60PT-6	.19	.376	.500

PART DIMENSIONS (Inches)			
Model	DIM. A	DIA. B	DIA. C
60PT-8	.25	.509	.625
60PT-10	.21	.630	.750

**Part Listing:**

- 60PT-4 For 1/4" OD Tube
- 60PT-4 BT For 1/4" OD Tube, bulk
- 60PT-4 K100 For 1/4" OD Tube, 100 per bag
- 60PT-5 For 5/16" OD Tube
- 60PT-5 BT For 5/16" OD Tube, bulk
- 60PT-6 For 3/8" OD Tube
- 60PT-6 BT For 3/8" OD Tube, bulk
- 60PT-8 For 1/2" OD Tube
- 60PT-8 BT For 1/2" OD Tube, bulk
- 60PT-8 K100 For 1/2" OD Tube, 100 per bag
- 60PT-10 For 5/8" OD Tube
- 60PT-10 BT For 5/8" OD Tube, bulk

*This specification and all information contained herein is the confidential and exclusive property of BrassCraft Manufacturing, and shall not be disclosed to others without the written consent of BrassCraft. This specification must be returned to BrassCraft if requested.*

