

Features

- Premium construction ensures durability and reliability
- 4-7/8" (124 mm) diverter spout with NPT connection
- Reversible 1/2" quarter-turn washerless ceramic disc valves
- Lever handles
- Includes showerhead, arm and flange

Required Accessories

K-302-K



Codes/Standards

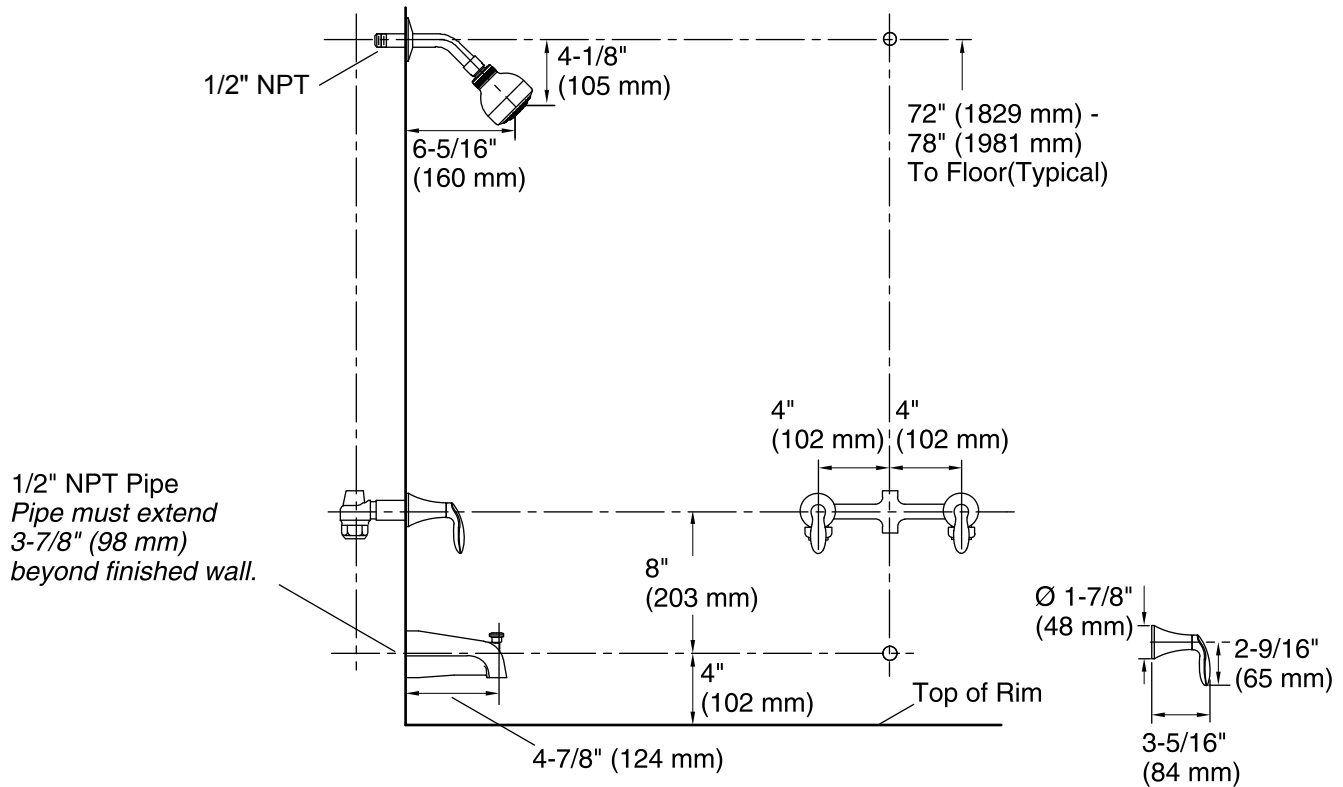
ASME A112.18.1/CSA B125.1
DOE - Energy Policy Act 1992

See website for detailed warranty information.

Available Color/Finishes

Color tiles intended for reference only.

Color	Code	Description
	CP	Polished Chrome



Technical Information

All product dimensions are nominal.

Showerhead:

Rated maximum flow: 2.5 gal/min (9.5 l/min)

Pressure: 80 psi (5.5 bar)

Notes

Install this product according to the installation guide.