

### Features

- Modular Cabinet - combine multiple cabinets, lighting, or mirrors
- All cabinets are non-handed/reversible
- Mirrored interior with 3 adjustable, cantilevered glass shelves
- Cantilever shelving adjustable in 1" increments
- Includes installation hardware for recess mounting
- Can be recessed or surface mounted (surface mounting kit required)

### Optional Features & Upgrades

- PORTRAY Quick Caddy (QUICKCADDY)
  - PORTRAY Electric Upgrade (P2ELECTRIC)
  - PORTRAY Sliding Magnification Mirror available for 16", 20", and 24" widths\*
  - Blum 110° slow close hinges
  - Polished edge or 3/4" beveled front mirror
  - Modular design with multiple installation options (See options below).
  - Other widths/heights available ranging 12" to 24" wide, 20" to 72" high
  - Glass Bins (GLASSBIN3.25, GLASSBIN5.25, GLASSBIN8.5)
- \* This accessory cannot be added post-sale.

### Construction

- Rust free Satin anodized aluminum construction
- Blum hinges standard
- 3 mirror design - rear of cabinet and both sides of door

### Codes/Standards Applicable

- Electric Option Models are ETL certified to:
  - UL 962
  - CSA Standard C22.2 No. 68

### Dimensions

Width: 23-1/4" (591 mm)  
 Height: 30" (762 mm)  
 Depth: 4-5/8" (117 mm) When surface mounted  
 7/8" (22 mm) When recessed

### Installation Options

**Recessed Mount** - Rough Opening - 22-1/2" W x 29-1/4" H x 4" D (572 mm W x 743 mm H x 102 mm D)

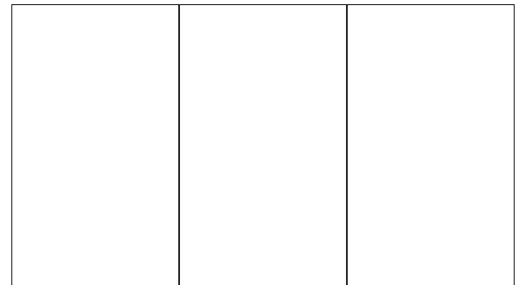
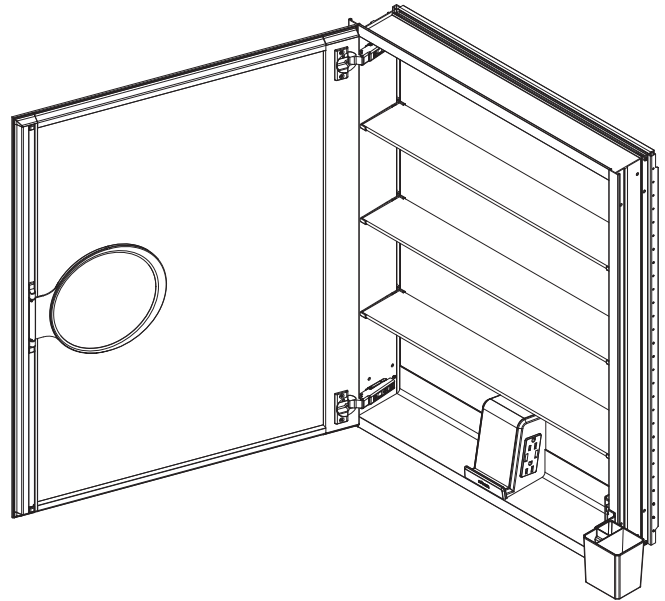
**Surface Mount (Single Cabinet)** - Reference Surface Mount Kit when ordering (P2SMKIT)

**Pairs with Modular mirrors**

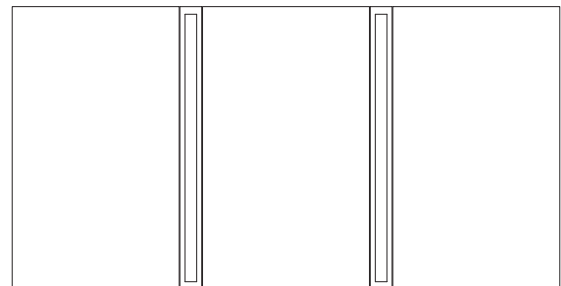
**Gangs to PL PORTRAY Series Cabinet** - Reference PL PORTRAY Ganging Kit when ordering (P2RMGKIT, P2SM-GKIT)

**Gangs to Lighting\*** - Reference Ganging kit for the particular light option when ordering.

\* Compatible with Vesper, InLine, Profiles, M Series, PL Series, AiO Cabinet, Vitality Cabinet



Ganging Cabinet-to-Cabinet Arrangement



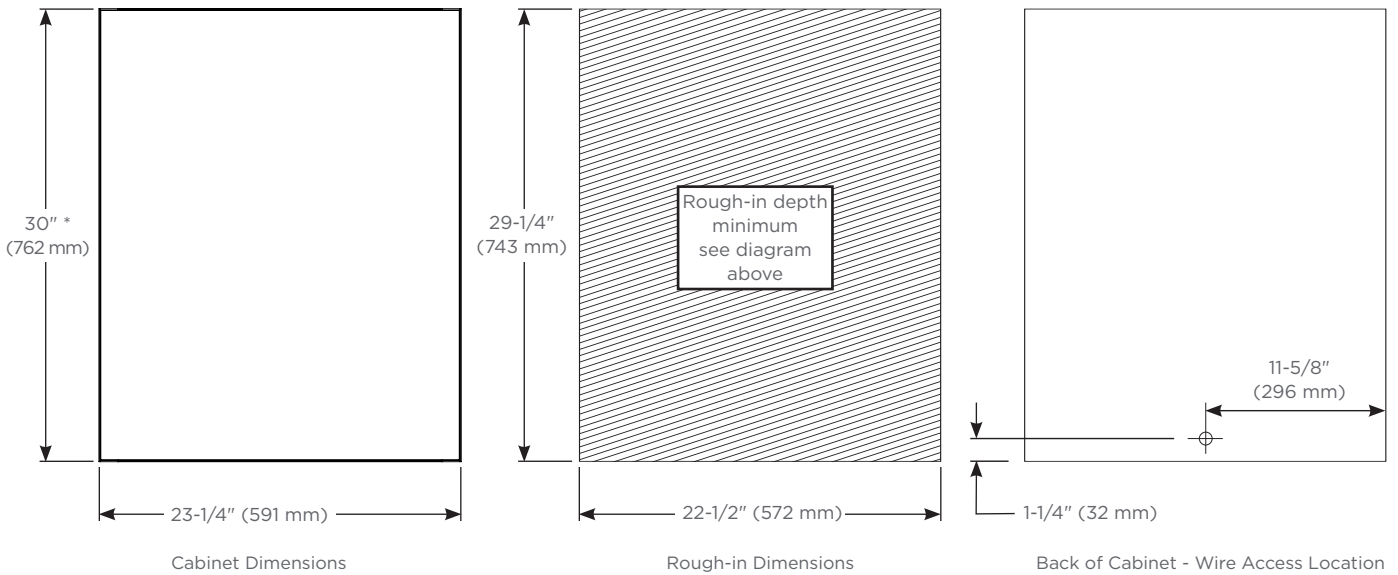
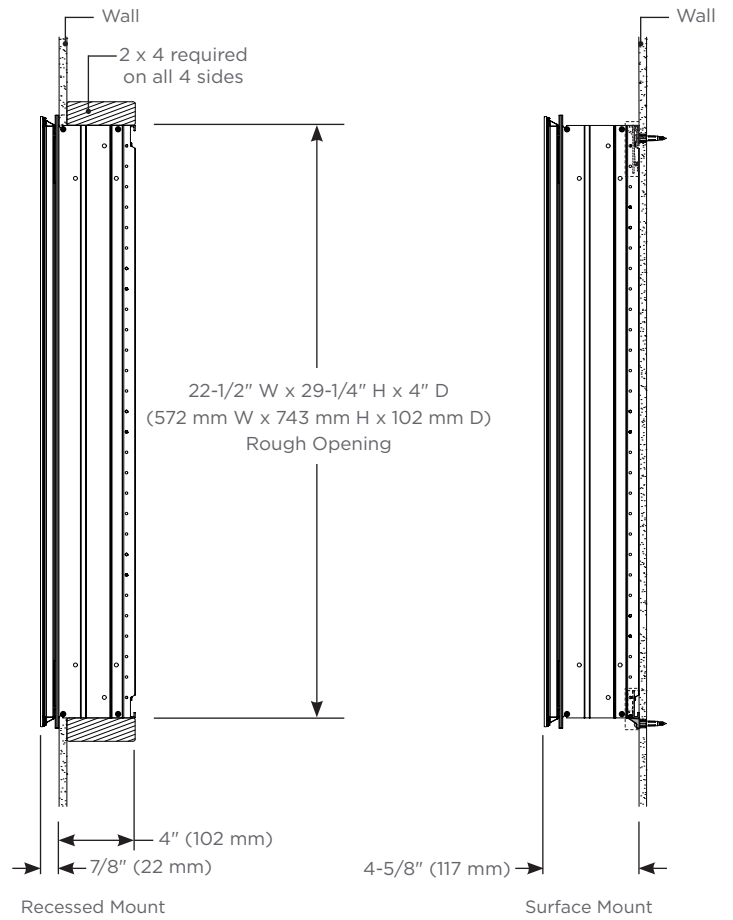
Ganging Cabinet-to-Lights Arrangement

### Model Number Key

PL PORTRAY Series	Width	Height	Depth	Mirror Edge Style	Upgrade Option	
P2C	24	30	D4	FP = Polished Edge	BA = No Upgrade	FS = Storage Upgrade
				FB = Bevel Edge	SC = Slow Close Upgrade	TU = Electric Upgrade
					MM = Magnification Mirror Upgrade	FT = Storage and Electric Upgrade

## Electrical System

- 120 VAC 60HZ 20A
- Field wire location as shown in drawing
- 1/2" conduit (Ø 7/8" actual) electrical knockout location shown below



\*Door is 1/8" (3 mm) smaller than cabinet