



Showerhead, 4-161

Specification Submittal



Model Numbers

- 4-161 Rain Showerhead

Finish Options / Modifications

Append appropriate -suffix to model number.

- STN Satin nickel
- Polished chrome finish (standard)

Product Highlights

- Ball joint connection
- Standard flow rate is 2.5 gpm (9.5 L/min)
- Polished Chrome finish

Standards / Certifications

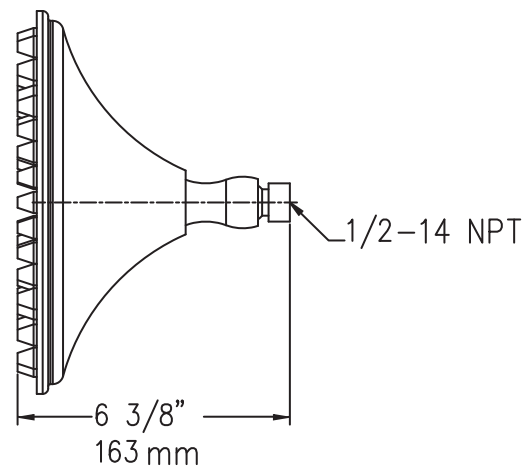
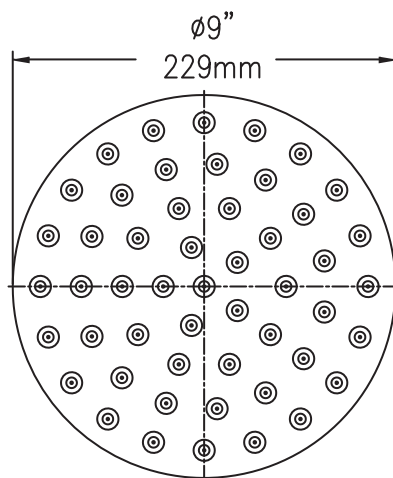
-ASME A112.18.1/CSA B125.1



Warranty

- **Limited Lifetime** - to the original end purchaser in residential / consumer installations.
- **5 years** - for commercial installations

Dimensions Rain Showerhead, 4-161



Note: Dimensions subject to change without notice.

Symmons Industries, Inc. ■ 31 Brooks Drive ■ Braintree, MA 02184
Phone: (800) 796-6667 ■ Fax: (800) 961-9621
Website: symmons.com ■ Email: gethelp@symmons.com

Copyright© 2017 Symmons Industries, Inc. ■ ZV-1765 REV A ■ 082817

