

Features

- Brass construction
- Available with lever handle
- Front seal plate assembly
- Complements Forté® Suite
- Intended for use with Kohler valves

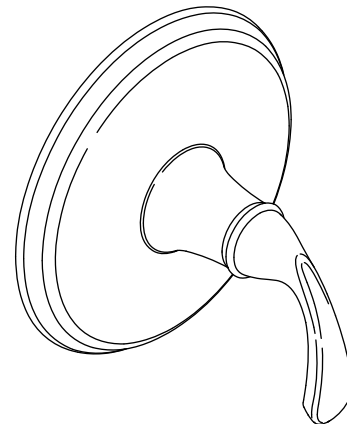
THERMOSTATIC VALVE TRIM
K-T10359
ALSO K-T10360

ADA

Codes/Standards Applicable

Specified model meets or exceeds the following:

- ASME A112.18.1/CSA B125.1
- ICC/ANSI A117.1
- ASSE 1016
- ADA



Colors/Finishes

- CP: Polished Chrome
- Other: Refer to Price Book for additional colors/finishes

Accessories

- NA: None applicable

Specified Model

Model	Description	Colors/Finishes	
K-T10359-4	Thermostatic valve trim	<input type="checkbox"/> CP	<input type="checkbox"/> Other ____
K-T10360-4	Volume control valve trim	<input type="checkbox"/> CP	<input type="checkbox"/> Other ____

Required Valves		
K-2972-KS (replaces K-679-KS)	1/2" Thermostatic valve	<input type="checkbox"/> NA
K-2974-K (replaces K-681-K)	1/2" Volume control	<input type="checkbox"/> NA
K-2975-KS (replaces K-669-KS)	3/4" Thermostatic valve	<input type="checkbox"/> NA
K-2977-K (replaces K-671-K)	3/4" Volume control	<input type="checkbox"/> NA

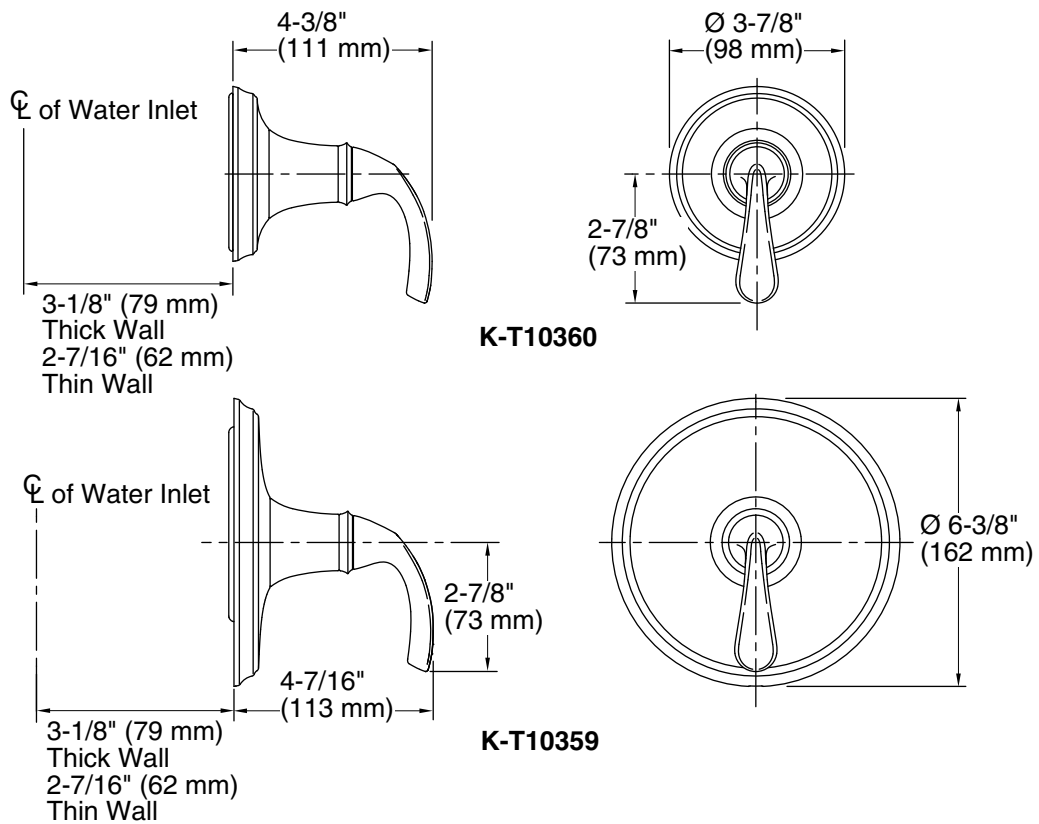
Product Specification

Thermostatic valve trim shall be of brass construction. Trim shall include front seal plate assembly. Product shall be available with lever handle. Trim shall complement the Forte Suite. Valve trim shall be Kohler Model K-T____-4-____ and required valving shall be K-____-____-NA.

FORTÉ®

Installation Notes

Install this product according to the installation guide.



Product Diagram