

ELKAY® SPECIFICATIONS

Asana® Undermount Single Bowl Lavatory Sink Models ELU1511 and ELUH1511

GENERAL

Highest quality sink formed of #18(1.2mm) gauge, type 304 (18-8) nickel bearing stainless steel. Undermount.

DESIGN FEATURES

Bowl Depth: 6" (152mm)

Coved Corners: 1-3/4"(44mm) vertical and horizontal radius.

Finish (ELUH): Exposed surfaces are hand blended to a Lustrous Highlighted Satin finish.

Finish (ELU): Exposed surfaces are hand blended to a Lustrous Satin finish.

Underside: Sound dampening pads with spray undercoating to dampen sound and reduce condensation.


OTHER

Drain Opening: 1-5/8"(41mm)

Note: All Elkay undermount sinks are designed to affix to the underside of any solid surface countertop.

Sink complies with ASME A112.19.3/ CSA B45.4

 Sinks are listed by IAPMO® as meeting the applicable requirements of the Uniform Plumbing Code®, International Plumbing Code®, and National Plumbing Code of Canada.

 These sinks are compliant to ADA and ANSI/ICC A117.1 accessibility requirements when installed according to the requirements outlined in these standards.

OPTIONAL ACCESSORIES

Drain: LK174, LKAD174, LK175

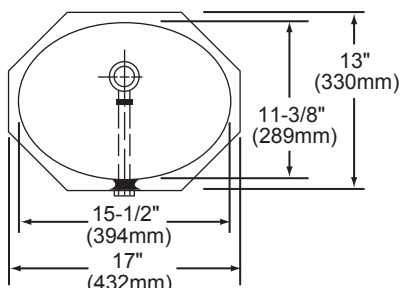
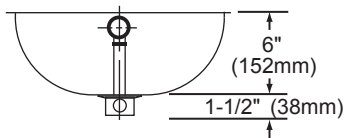
Mounting Clip: LKUCLIP8

SINK DIMENSIONS*

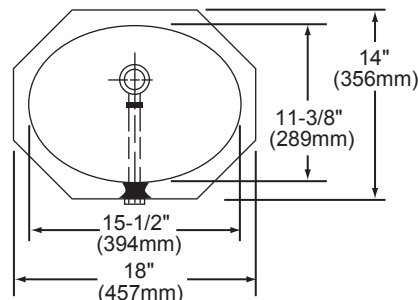
Model Number	Overall		Inside Bowl			Cutout in Countertop	Minimum Cabinet Size
	L	W	L	W	D		
ELU1511	17 (432mm)	13 (330mm)	15 1/2 (394mm)	11 3/8 (289mm)	6 (152mm)	See Template**	21 (533mm)
ELUH1511	18 (457mm)	14 (356mm)	15 1/2 (394mm)	11 3/8 (289mm)	6 (152mm)		21 (533mm)

*Length is left to right. Width is front to back.

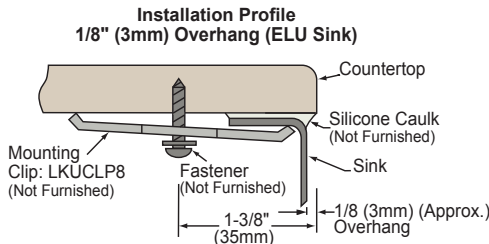
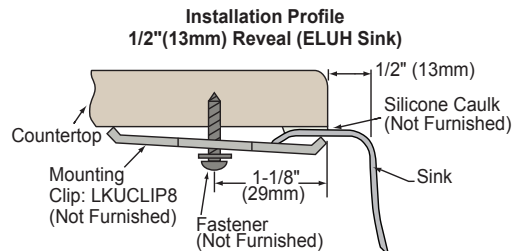
**Template #74180165 (ELU1511) or # 1000001508 (ELUH1511) is packed with every sink.



ELU1511 Illustrated



ELUH1511 Illustrated



In keeping with our policy of continuing product improvement, Elkay reserves the right to change product specifications without notice. Please visit elkay.com for the most current version of Elkay product specification sheets.

This specification describes an Elkay product with design, quality, and functional benefits to the user. When making a comparison of others producers offerings, be certain these features are not overlooked.