

Features

- 4-inch center faucet holes.
- Oval basin.
- Overflow drain.
- Includes wall hanger.

Material

- Vitreous china.

Installation

- Wall-mount
- Drilled for concealed arm carrier installation.

Optional Accessories

K-8998 P-Trap
K-1998 Shroud

Components

Additional included component/s: Hanger (2 required).



ADA CSA B651 OBC

Codes/Standards





ASME A112.19.2/CSA B45.1
ADA
ICC/ANSI A117.1
CSA B651
OBC

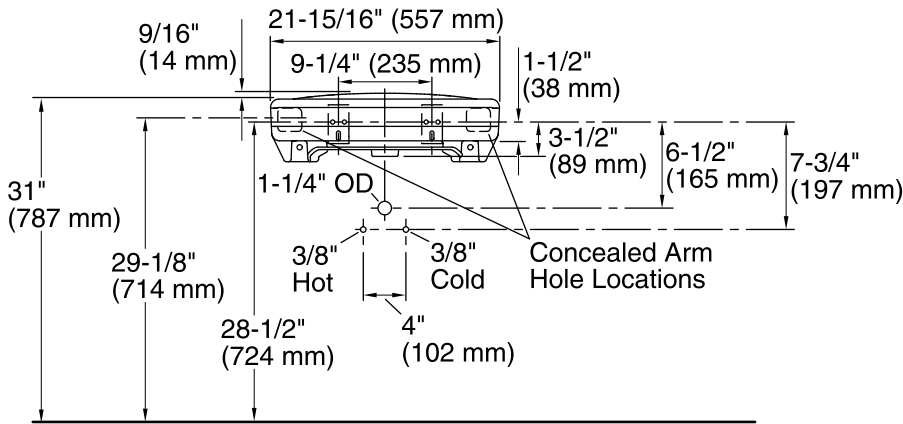
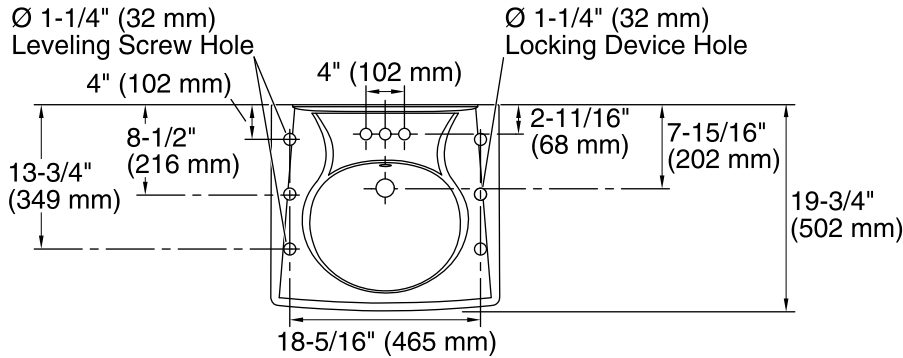
KOHLER® One-Year Limited Warranty

See website for detailed warranty information.

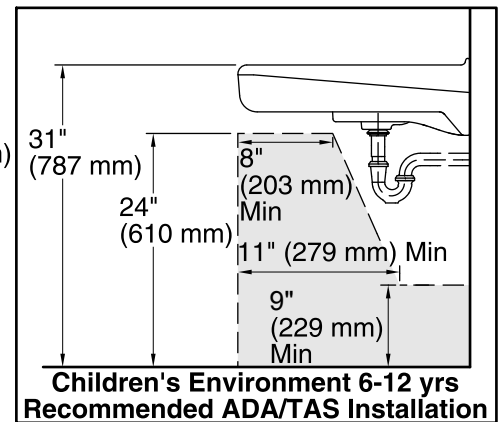
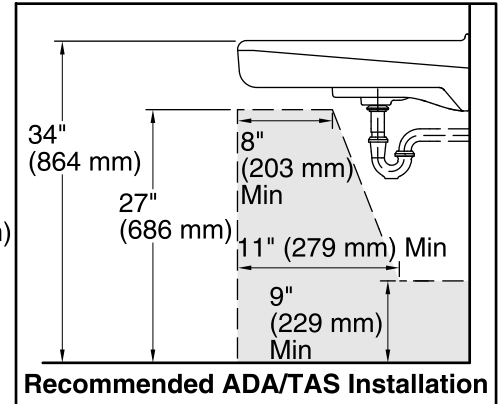
Available Color/Finishes

Color tiles intended for reference only.

Color	Code	Description
	0	White
	96	Biscuit
	47	Almond
	7	Black Black™



Standard Installation



Technical Information

All product dimensions are nominal.

- Bowl configuration: Single
 Installation: Wall-mount
 Bowl area (Only): Length: 14-3/8" (365 mm)
 Width: 12-5/16" (313 mm)
 With overflow: Yes
 Water depth: 3-1/4" (83 mm)
 Number of deck holes: 3
 Faucet hole(s): 1-1/4" (32 mm)
 Drain hole: 1-3/4" (44 mm)

Notes

- Install this product according to the installation instructions.
 ADA, OBC, CSA B651 compliant when installed to the specific requirements of these regulations.