

SUBMITTAL SHEET

JOB NAME	ITEM TAG
JOB LOCATION	PART NUMBER
CONTRACTOR	DATE
ENGINEER APPROVAL	DATE

QUARTER TURN ANTI-SIPHON FROST FREE SILLCOCK

T-550, T-550P and T-550CPVC

Patented Softouch, rubber-clad handwheel.

Quarter-turn operation.

Dual ceramic discs offer durable, positive shut-off.

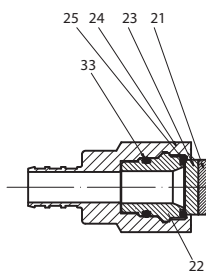
Oversized, angled mounting flange with screw slots - covers enlarged, over-drilled sill holes.

Industry leading flow: 10 GPM at 50 p.s.i.

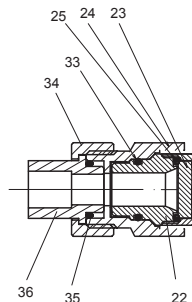
- A.S.S.E. 1019, Type A Device
- cUPC / IAPMO Approved
- End connections comply with the following specifications:
 - ANSI / ASME B1.20.1 (MNPT and FNPT)
 - ANSI / ASME B16.18 (CTS solder)
 - ASTM F1807 (PEX barb)
 - ASTM D2846 (CPVC)
 - ANSI / ASME B1.20.7 (male garden hose outlet)



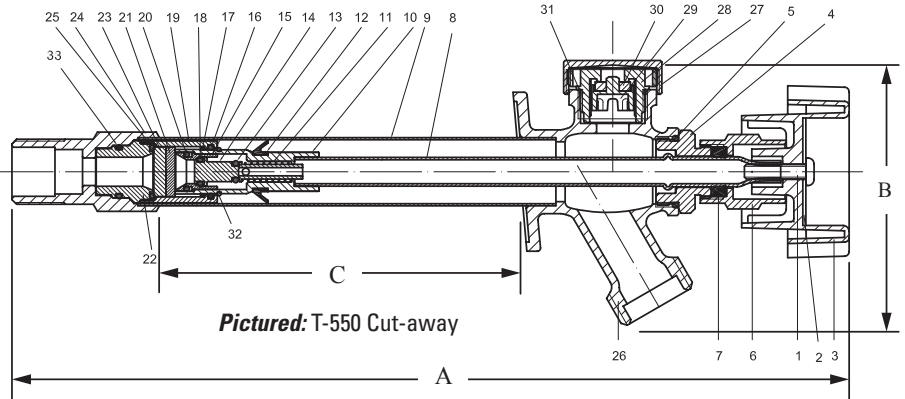
Pictured: T-550



Pictured: PEX End Connection



Pictured: CPVC End Connection



Pictured: T-550 Cut-away

WARNING: Hose must be removed in order to prevent freezing or warranty will be null & void!

MATERIAL SPECIFICATION

PART	MATERIAL	SPECIFICATION
1	Handle screw	Brass JIS C2600
1	Handle screw	Brass JIS C2600
2	Identification plate	Aluminum
3	Handwheel	Aluminum & TPR
4	Bonnet nut	Forged Brass, chrome plated ASTM B16 UNS C36000
5	Bonnet nut O-ring	NBR (Nitrile Rubber) Commercial grade
6	Packing nut	Forged Brass, chrome plated ASTM B16 UNS C36000
7	Stem packing	NBR (Nitrile Rubber) Commercial grade
8	Stem	Brass ASTM C27000
9	Outer Tube	Brass ASTM C27000
10	Cartridge Stem	Forged Brass, chrome plated ASTM B16 UNS C36000
11	Spring	Stainless Steel AISI 304
12	Cup Washer	NBR (Nitrile Rubber) Commercial grade
13	O-Ring	EPDM Commercial grade
14	Check Valve Piston	Forged Brass ASTM B16 UNS C36000
15	Spacer	Forged Brass ASTM B16 UNS C36000
16	O-Ring	Fluoroelastomer Dupont Viton
17	Cartridge Packing	PTFE Dupont Teflon
18	O-Ring	EPDM Commercial grade
19	Cartridge body	Brass ASTM B16 UNS C36000
20	Spacer O-ring	EPDM Commercial grade
21	Ceramic Disk	Ceramic Commercial grade
22	Cartridge End	Forged Brass ASTM B16 UNS C36000
23	Ceramic Disk	Ceramic Commercial grade

MATERIAL SPECIFICATION

PART	MATERIAL	SPECIFICATION
24	End Adapter	Forged Brass, chrome plated ASTM B16 UNS C36000
25	O-Ring	EPDM Commercial grade
26	Exterior body	Brass, chrome plated ASTM B584 UNS C85700
27	Vacuum breaker cap	Forged Brass, chrome plated ASTM B16 UNS C36000
28	Vacuum breaker body	POM COPOLYMER 090
29	Vacuum breaker disk	POM COPOLYMER 090
30	Vacuum breaker seat	NBR (Nitrile Rubber) Commercial grade
31	Vacuum breaker O-ring	NBR (Nitrile Rubber) Commercial grade
32	Retaining Clip	Stainless steel AISI 304
33	O-ring	Fluoroelastomer Dupont Viton
34	Adapter lock-ring	Forged Brass, chrome-plated ASTM B16 UNS C36000
35	Adapter O-ring	NBR (Nitrile Rubber) Commercial grade
36	Socket adapter	Virgin CPVC resin ASTM D1784

*denotes PEX or CPVC solvent-weld inlet connection

DIMENSIONS

Size	A	B	C Nominal Length
8"	13.77	3.49	7.67
10"	15.81	3.49	9.67
12"	17.81	3.49	11.67
14"	19.81	3.49	13.67