

### 5' BATH WHIRLPOOL K-1122

ADA

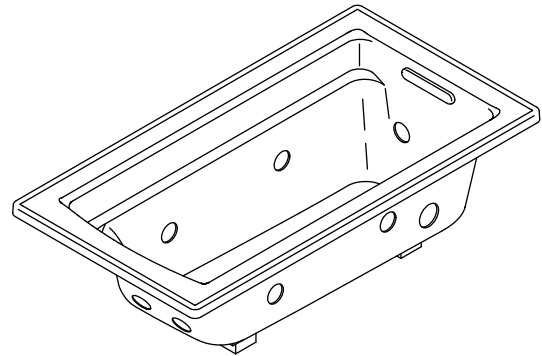
#### Features

- Acrylic
- 8 color-matched Kohler hydro-massage jets
- Pump with air switch and grounding-type plug-in cord
- Integral lumbar support
- Slotted overflow for maximum bathing depth
- Low threshold height
- Armrests
- 60" (1524 mm) x 32" (813 mm) x 19" (483 mm)

#### Codes/Standards Applicable

Specified model meets or exceeds the following:

- ADA
- ICC/ANSI A117.1
- CSA B45.5/IAPMO Z124
- ASME A112.19.7
- ASTM E162
- ASTM E662
- UL 1795



#### Colors/Finishes

- 0: White
- Other: Refer to Price Book for additional colors/finishes

#### Accessories

- CP: Polished Chrome
- Other: Refer to Price Book for additional colors/finishes

#### Specified Model

Model	Description	Colors/Finishes	
K-1122	Drop-in rim style bath whirlpool	<input type="checkbox"/> 0	<input type="checkbox"/> Other_____
<b>Required Accessories</b>			
K-7271	Clearflo slotted overflow brass bath drain <b>OR</b>	<input type="checkbox"/> CP	<input type="checkbox"/> Other_____
K-7272	Clearflo slotted overflow bath drain – PVC pipe	<input type="checkbox"/> CP	<input type="checkbox"/> Other_____

#### Product Specification

The acrylic bath whirlpool shall be 60" (1524 mm) in length, 32" (813 mm) in width, and 19" (483 mm) in height. Bath whirlpool shall feature 8 color-matched jets. Bath whirlpool shall feature a pump with air switch and grounding-type plug-in cord. Bath whirlpool shall have slotted overflow for maximum bathing depth, low threshold height, and integral lumbar support. Bath shall have armrests. Bath whirlpool shall be Kohler Model K-1122-\_\_\_\_\_.

# ARCHER™

## Technical Information

Fixture*:			
Bathing well			
Basin area, bottom	45-1/8" (1146 mm) x 19-11/16" (500 mm)		
Basin area, top	52-3/4" (1340 mm) x 25-5/16" (643 mm)		
Weight	110 lbs (50 kg)		
To overflow			
Water depth	15" (381 mm)		
Capacity	58 gal (219.5 L)		
* Approximate measurements for comparison only.			
Drop-in cutout 58-1/2" (1486 mm) x 30-1/2" (775 mm)			
Pump:	V	Hz	A
1-speed	120	60	7
Pump is supplied with 24" (610 mm) grounding-type plug-in cord.			

## Required Electrical Service

Dedicated circuit required, protected with a Class A Ground-Fault Circuit-Interrupter (GFCI):	
Pump/control	120 V, 15 A, 60 Hz
Locate the outlet behind the whirlpool and within 24" (610 mm) of the pump.	

## Installation Notes

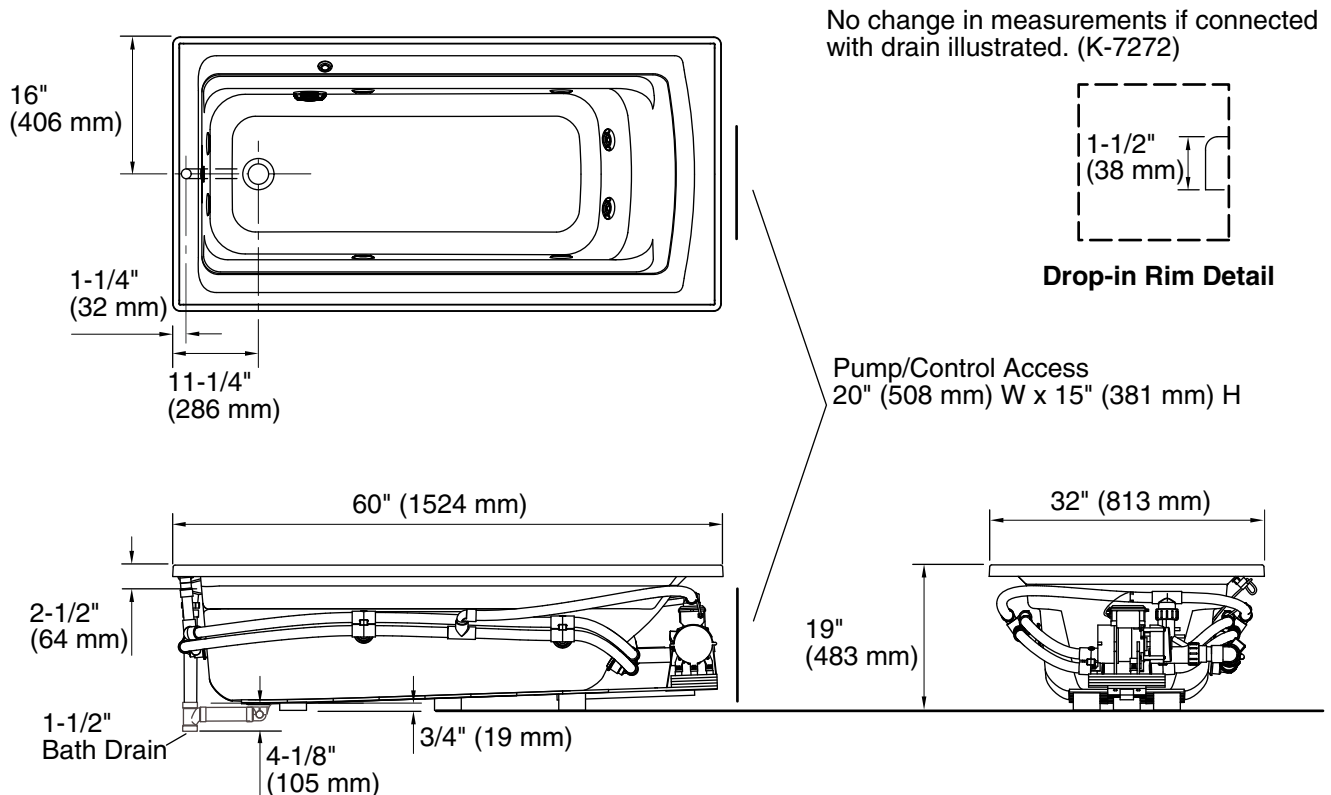
Install this product according to the installation guide.

Floor support under this product must provide for a minimum of 46 lbs/square foot (227 kg/square meter) loading.

This product is designed for drop-in installation only. It is not suited for use in a three-wall alcove with an overhead shower.

The hot water supply should be 70% of the capacity of the bath or greater. Installations will vary.

Will comply with **ADA** when installed per Section 607 Bathtubs of the Act.



## Product Diagram