

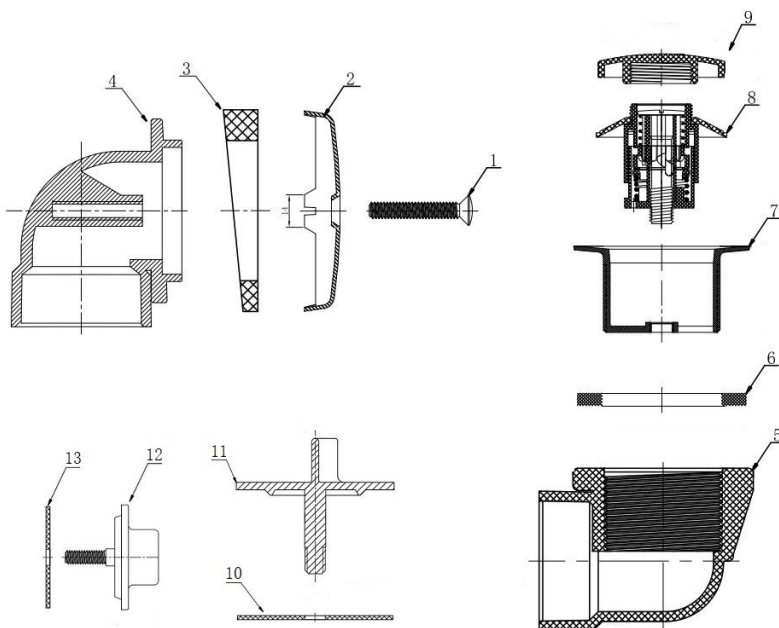
Features:

- 1-1/2" Schedule 40 PVC Half Kits
- Includes All Trims, Test Kits, Overflow Elbow and Waste Shoe Elbow
- Metal One Hole Faceplate With Screw
- Brass Tub Drain With Toe Touch Stopper
- cUPC Approved



Part#	Description	Finished
4PROPVCTTWO	PVC Touch Toe Waste & Overflow, CP	Chrome Plated
4PROPVCTTWOBN	PVC Touch Toe Waste & Overflow, BN	Brushed Nickel
4PROPVCTTWOORB	PVC Touch Toe Waste & Overflow, ORB	Oil Rubbed Bronze

Materials List:



No.	Part	QTY	Material
1	Screw	1	Stainless Steel
2	Faceplate	1	Metal
3	Washer	1	Rubber
4	Overflow Elbow	1	PVC
5	Waste Shoe Elbow	1	PVC
6	Washer	1	Rubber
7	Body	1	Brass
8	Toe Touch Test Stopper	1	/
9	Toe Touch Stopper Cover	1	ABS
10	Washer	1	Rubber
11	Tub Drain Test	1	HIPS
12	Overflow Stopper Test Cover	1	POM
13	Washer	1	Rubber