

## BUILDER SERIES



**Home Innovation**  
LAB CERTIFIED™

**Oasis**



60-INCH WIDE MODEL

**OV-6042 (Self-Rimming)**

Unit Dimensions

60" wide x 42" deep x 20" high

### Unit Features

- Sanitary Grade Polyester Gelcoat Surface
- 2" Dia. End Drain (see reverse side for location)
- 2-1/2" Dia. Overflow (see reverse side for location)
- Pre-Leveled Block Base System
- Balsa Wood Core Floor Structure
- Textured Floor Pattern

### Special Notes

- UL Listed Hydrotherapy Systems
- Models Available w/ Integral Tile Flange

### Gelcoat Unit / System Order Number

OV-6042 (soaking tub)  
OV-6042 / VHS (Villa System)  
OV-6042 / IHS (InVigor System)

### System Trim

Standard VHS & IHS Trim (order code): White trim on White unit (WHT)

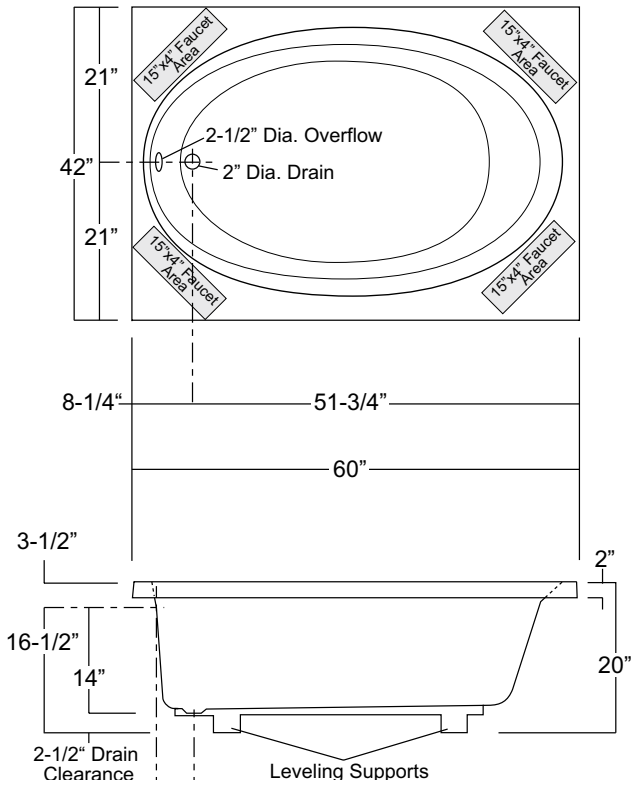
### Order Code / Description

IHS *InVigor Hydrotherapy System*: All white components including, (6) Slimline adjusta-flo, multi-directional jets, (4 on sides / 2 on drain end), (2) Slimline micro back jets, variable flow control, twin air controls, electronic system control with 20-min timer, and 13.0 amp pump..

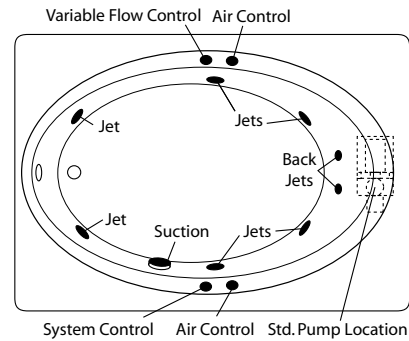
VHS: *Villa Hydrotherapy System*: All white components including, (8) Slimline micro jets, pneumatic system control, and 7.50 amp pump.

### Order Code / Description

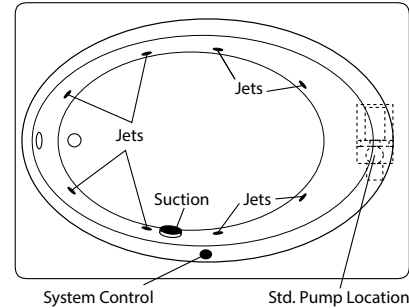
Options: CHR: Chrome Jet Trim Ring Upgrade (IHS only)  
 ILH: In-Line Heater (factory installed)  
 MP/B: Alternate Pump Location (site installed)



InVigor Hydrotherapy System



Villa Hydrotherapy System



OV-6042

Sump Bottom Dimen: 43-1/2" long x 29-1/2" wide x 16-3/4" deep

Sump Capacity: 62 gal. (unoccupied - to overflow)

Whirlpool Operating: 32 gal.

Photographic images may include optional components and appear different than actual product.  
 Dimensions shown are maximum. Due to the nature of the materials involved, actual unit dimensions can vary (tolerances: +/-1/8 inch)  
 Oasis reserves the right to modify or discontinue product and/or associated equipment without prior written or verbal notification or obligation.