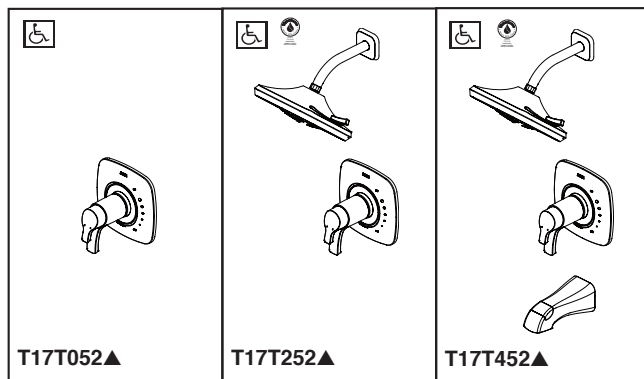




see what Delta can do™

TUB AND SHOWER FAUCET TRIM



Submitted Model No.: _____

Specific Features: _____

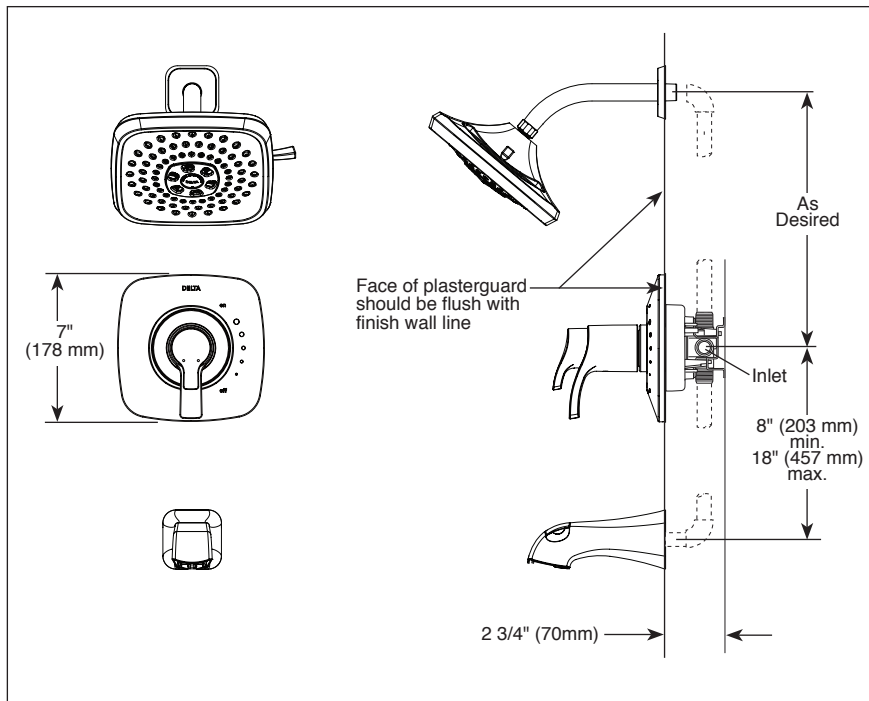
- Tesla™ Bath Collection
- TempAssure® Thermostatic
- Valve Only (T17T052)
- Shower Only (T17T252)
- Tub/Shower (T17T452)

FEATURES:

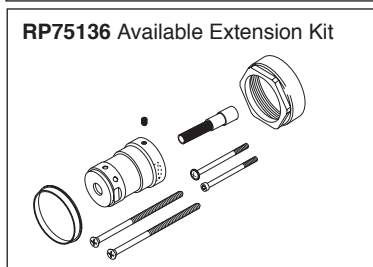
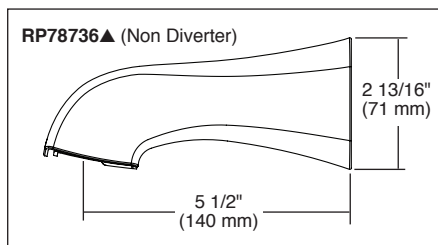
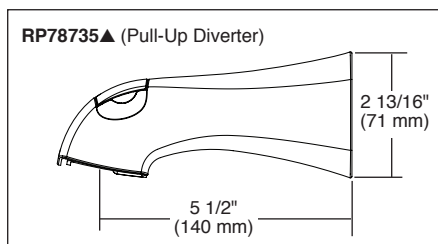
- TempAssure® 17T thermostatic valve cartridge
- H₂Okinetic® Technology shower head

STANDARD SPECIFICATIONS:

- Thermostatic wax element maintains the outlet temperature to ±3.6°F
- Must also order MultiChoice® Universal rough separately (R10000 series)
- Three-setting H₂Okinetic® shower head
- Back-to-back installation capability
- Lever volume control handle; temperature adjustment dial
- Graphics indicate hot/cold temperature adjustment
- Field adjustable to limit rotation into hot water zone
- All parts are replaceable from the front of the valve
- Adjusts for up to 1" wall thickness
- Maximum 1.75 gpm @ 80 psi, 6.6 L/min @ 550 kPa
- Tub port maximum flow rate 8.6 gpm @ 60 psi with R10000-UNBX
- Shower arm overall horizontal length = 7" (178 mm), including threaded ends
- Red/blue pad print temperature indicator on the temperature adjustment dial



▲ Designate Proper Finish Suffix



WARRANTY

- Parts and Finish - Lifetime limited warranty; or for commercial purchasers, 10 years for multi-family residential (apartments and condominiums) and 5 years for all other commercial uses, in each case from the date of purchase.
- Electronic Parts and Batteries (if applicable) - 5 years from the date of purchase; or for commercial purchasers, 1 year from the date of purchase. No warranty is provided on batteries.

COMPLIES WITH:

- ASME A112.18.1 / CSA B125.1
- Indicates compliance to ICC/ANSI A117.1- Valve control only
- EPA WaterSense®

Delta reserves the right (1) to make changes in specifications and materials, and (2) to change or discontinue models, both without notice or obligation. Dimensions are for reference only. See current full-line price book or www.deltafaucet.com for finish options and product availability.

DSP-B-T17T052 Rev. E

Delta Faucet Company
 55 E. 111th Street, Indianapolis, IN 46280
 350 South Edgeware Road, St. Thomas, ON N5P 4L1
 © 2018 Delta Faucet Company