



The Choice of Professionals

King Bros. Industries

29101 The Old Road, Valencia, CA 91355

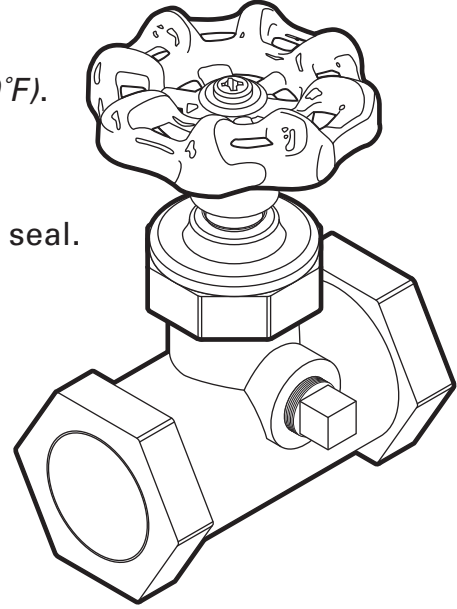
Toll Free: (800) 325-9468 Fax: (661) 257-4320

E-mail: valves@kbico.com Web: www.kbico.com

CPVC Stop Valve (CTS)

Features:

- Approved for hot and cold applications (to 200°F).
- Made with **PlatinumXCELL**® material.
- CPVC body and bonnet, ABS handle and polypropylene stem and plug with EPDM stem seal.
- Meets/exceeds all ASTM & ANSI standards.
- Complies with all Low-Lead plumbing laws.
- ASTM D2846 25-50 Flame & Smoke Rated (water filled).
- Code approved.
- Molded in the **USA** by KBI.



Model	Size	Connection	Case	Weight
SWC-0500-S	1/2"	Slip x Slip	36	6.5
SWC-0750-S	3/4"	Slip x Slip	36	6..5

FEATURES COMMON TO KBI CPVC PLUMBING PRODUCTS

- NSF listed *
- IAPMO (UPC) listed *
- Molded in the USA by KBI
- Pressure rated to 100 psi @180°F
- Meets/Exceeds all ASTM Standards
- Made with FlowGuard Gold® CPVC
- Limited LIFETIME Warranty

