

## 88 Series 1 & 2 Section Assembly

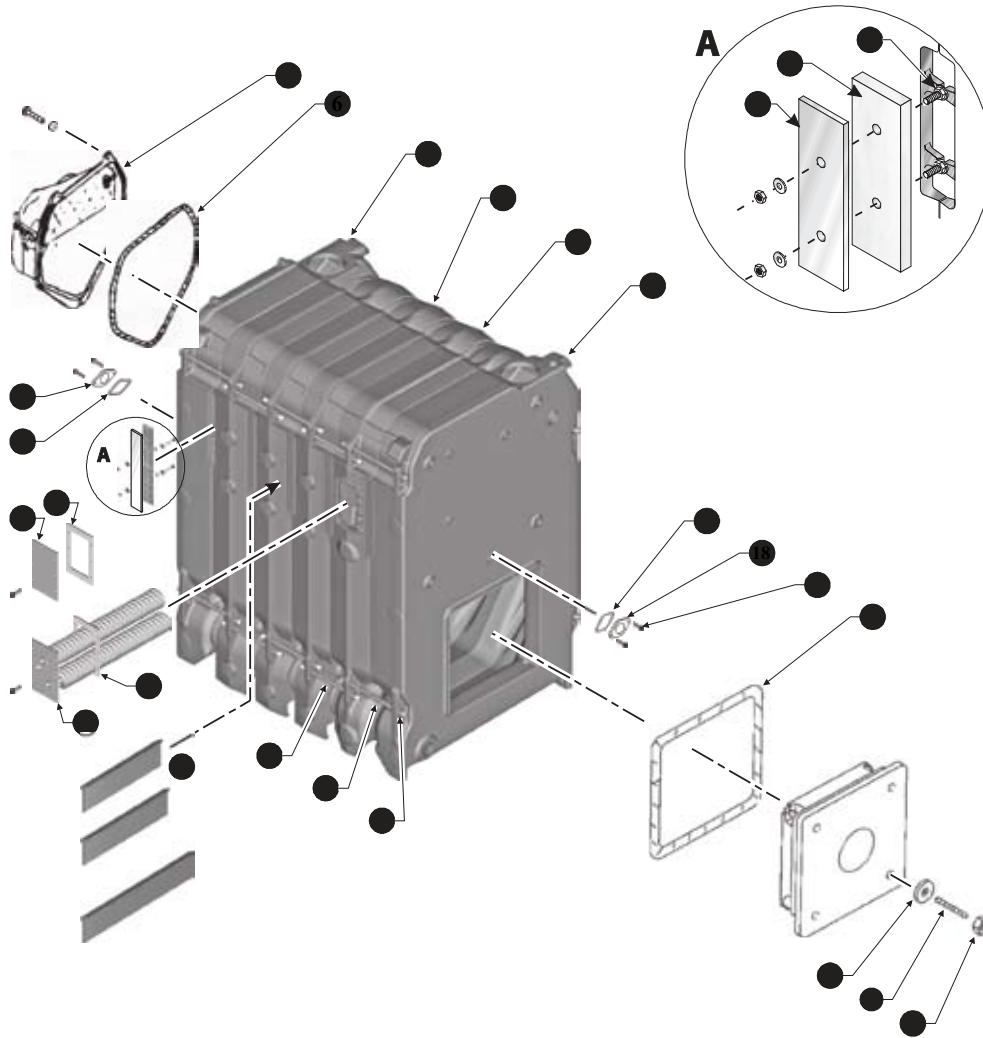


Fig. No.	Part. No.	Description	Notes	Series
1	316-301-210	Front Section – 8823 – 80 PSI	■	1 & 2
2	316-301-212	Regular Intermediate Section – 8825 – 80 PSI	■	1 & 2
3	316-301-214	Tankless Intermediate Section – 8826 – PSI	■	1 & 2
4	316-301-211	Back Section – 8828 – 80 PSI	■	1 & 2
	416-300-005	Box Jacket Standard Size-32, 50 PSI		1
	416-300-006	Box Jacket Standard Size-40, 50 PSI		1
	416-300-007	Box Jacket Standard Size-48, 50 PSI		1
	416-300-008	Jacket Carton E-24		1
	416-300-009	Jacket Carton E-48		1
	316-301-213	Supply Intermediate Section with 5" N.P.T. supply outlet tapping – 8824 – 80 PSI	■	1 & 2
	386-300-213	86/88 Section Replacement Kit (Includes: rope, seals, sealant, rope adhesive)		1 & 2
11	560-134-495	5/8" x 11" Draw rod without nut (4 per joint) Int. to Int.		1
10	560-134-505	5/8" x 13" Draw rod without nut (4 per joint), (Ft. Or Bk. To Int. S1) All Series 2		1 & 2