

Features

- 0.5 ga/min (1.9 l/min) flow rate.
- Factory set 30 second max. continual run cycle .
- Vandal-resistant aerator.
- 24" (610 mm) flexible supply hoses for easy installation.
- 5-3/4" (146 mm) spout reach.
- Less drain.

Material

- Brass construction.

Technology

- Includes two AAA batteries.
- Electronic Insight™ Sensor Technology for accurate and consistent activation.

Installation

- Single-hole mounting.
- Above-counter valve for easy installation and maintenance.

Optional Accessories

- 1160595 .35 gpm Aerator, Medium
- 1075455 Medium Spray 0.5 gpm (1.9 l/min)
- 1139284 Medium Aerated 1.0 gpm (3.8 l/min)
- 1139285 Medium Laminar 1.0 gpm (3.8 l/min)
- 1097180 Medium Aerated 1.5 gpm (5.7 l/min)
- 1104546 Medium Laminar 1.5 gpm (5.7 l/min)
- 79441 Sealing Washer



ADA

CSA B651

OBC

Codes/Standards

ASME A112.18.1/CSA B125.1
NSF/ANSI 372

All applicable US Federal and State material regulations

DOE - Energy Policy Act 1992

ADA

ICC/ANSI A117.1

CSA B651

OBC


KOHLER® One-Year Limited Warranty

See website for detailed warranty information.

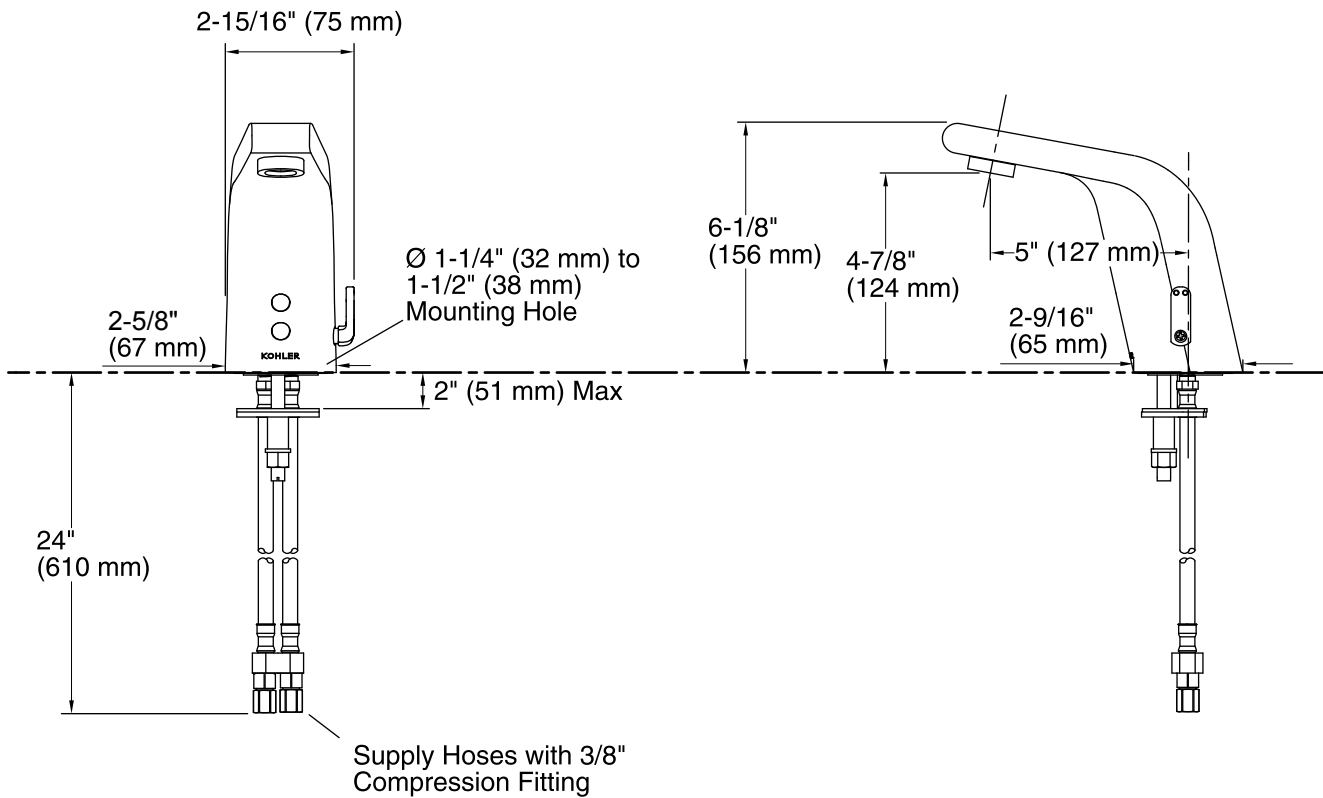
Available Color/Finishes

Color tiles intended for reference only.

Color	Code	Description
-------	------	-------------

	CP	Polished Chrome
--	----	-----------------

	VS	Vibrant® Stainless
--	----	--------------------



Technical Information

All product dimensions are nominal.

Power source: Battery - DC, included

Faucet:

Flow rate: 0.5 gal/min (1.9 l/min)

Valve body: Machined-brass

Notes

Install this product according to the installation guide.

A 1-1/4" (32 mm) minimum to 1-1/2" (38 mm) maximum diameter mounting hole is required.

The minimum distance between the back of the faucet spout and the wall must be 1-3/4" (44 mm). This will allow proper clearance for setscrew access.

The maximum distance between the bathroom sink basin edge to the base of the faucet spout must be 1-3/4" (44 mm).

The maximum height of the lip basin should be 3/4" (19 mm).

Product includes rosebud spray aerator. Other aerator styles are available.

ADA, OBC, CSA B651 compliant when installed to the specific requirements of these regulations.