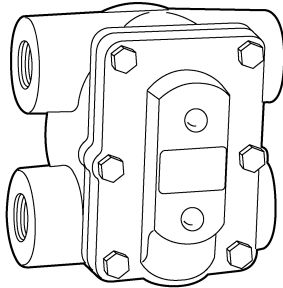


JOB:	REPRESENTATIVE:	
UNIT TAG:	ORDER NO.:	DATE:
ENGINEER:	SUBMITTED BY:	DATE:
CONTRACTOR:	APPROVED BY:	DATE:

Hoffman Specialty



Series H Float and Thermostatic Steam Traps



Materials of Construction	
Part	Specifications
Body and Cover	Cast Iron 30,000 psi tensile
Valve Pin and Seat	Stainless Steel (Hardened)
Float	Stainless Steel
Lever Assembly	Stainless Steel
Thermostatic Air Vent	Stainless Steel Cage and Thermal Element
Cover Bolts	Grade 5

Ratings			
NPT Size Inches	Maximum Allowable Pressure psi (bar)	Maximum Operating Pressure psi (bar)	Maximum Temperature °F (°C)
3/4, 1 & 1-1/4	250 (17.3)	175 (12.1)	406 (208)
1-1/2 & 2	175 (12.1)	175 (12.1)	377 (192)

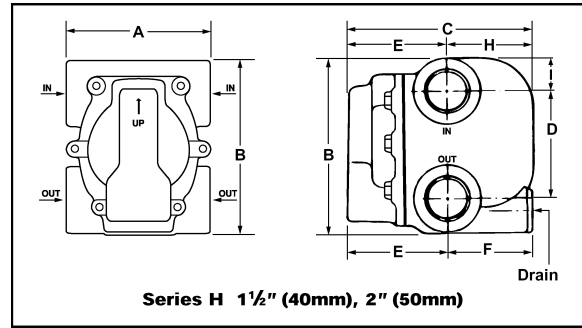
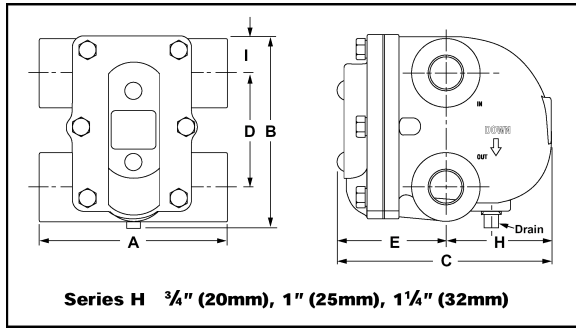
Meets Mil Specification A-A-60001 Type VI, Class 1 - 5.

SCHEDULE

PART NUMBER	MODEL NUMBER	SIZE NPT INCHES	INLET PRESS. psi (bar)	DIFF. PRESS. psi (bar)	FLOW RATE lb/hr (kg/hr)	TAGGING INFORMATION	QUANTITY
404200	FT015H-3	3/4					
404210	FT015H-4	1					
404220	FT015H-5	1-1/4					
401626	FT015H-6	1-1/2					
401629	FT015H-8	2					
404202	FT030H-3	3/4					
404212	FT030H-4	1					
404222	FT030H-5	1-1/4					
401638	FT030H-6	1-1/2					
404204	FT075H-3	3/4					
404214	FT075H-4	1					
404206	FT125H-3	3/4					
404216	FT125H-4	1					
404208	FT175H-3	3/4					
404218	FT175H-4	1					

Series H Float and Thermostatic Steam Traps

HS-207(E)



Dimensions, in. (mm)

NPT Size in.	A	B	C	D	E	F	H	I	Weight lbs. (kg)
3/4	5-1/2 (140)	5-19/32 (142)	6-1/2 (165)	3-5/16 (84)	3-13/32 (86)	-	3-1/16 (78)	1-5/64 (27)	11.7 (5.3)
1	5-1/2 (140)	5-19/32 (142)	6-1/2 (165)	3-5/16 (84)	3-13/32 (86)	-	3-1/16 (78)	1-5/64 (27)	11.7 (5.3)
1-1/4	5-1/2 (140)	5-19/32 (142)	6-1/2 (165)	3 (76)	3-13/32 (86)	-	3-1/16 (78)	1-5/64 (27)	11.7 (5.3)
1-1/2	6-3/8 (162)	7-11/16 (195)	8-7/32 (209)	5-1/4 (133)	4-13/32 (112)	3-13/16 (97)	3-13/16 (97)	1-11/32 (34)	22 (10)
2	6 (152)	11 (279)	9-5/32 (233)	7-15/32 (190)	4-17/32 (115)	4-7/32 (107)	4-5/8 (117)	1-5/8 (41)	38 (17)

Capacities (Gross Ratings)

Model	NPT Size in.	Orifice Size in. (mm)	Pressure Differential in Pounds Per Square Inch (bar)																	
			1/4 (0.017)	1/2 (0.035)	1 (0.07)	2 (0.14)	5 (0.35)	10 (0.69)	15 (1.0)	20 (1.4)	25 (1.69)	30 (2.1)	40 (2.8)	50 (3.5)	60 (4.2)	75 (5.2)	100 (6.9)	125 (8.6)	150 (10.4)	175 (12.1)
			Capacity in Pounds of Condensate Per Hour (kg/hr)																	
FT015H-3	3/4	.253 (6.4)	390 (177)	500 (227)	680 (308)	910 (413)	1100 (500)	1450 (658)	1600 (725)	-	-	-	-	-	-	-	-	-	-	-
FT015H-4	1	.253 (6.4)	390 (177)	500 (227)	680 (308)	910 (413)	1100 (500)	1450 (658)	1600 (725)	-	-	-	-	-	-	-	-	-	-	-
FT015H-5	1-1/4	.312 (8)	600 (272)	770 (350)	980 (444)	1240 (562)	1640 (744)	2000 (907)	2340 (1062)	-	-	-	-	-	-	-	-	-	-	-
FT015H-6	1-1/2	.500 (13)	1280 (581)	1700 (771)	2050 (930)	2550 (1157)	3500 (1588)	4400 (1996)	5300 (2404)	-	-	-	-	-	-	-	-	-	-	-
FT015H-8	2	.687 (17)	2500 (1134)	3150 (1429)	4000 (1814)	5000 (2268)	6800 (3084)	8300 (3765)	9800 (4405)	-	-	-	-	-	-	-	-	-	-	-
FT030H-3	3/4	.235 (6)	380 (172)	470 (214)	630 (285)	870 (395)	1050 (475)	1380 (625)	1530 (695)	1700 (770)	1820 (825)	1900 (860)	-	-	-	-	-	-	-	-
FT030H-4	1	.235 (6)	380 (172)	470 (214)	630 (285)	870 (395)	1050 (475)	1380 (625)	1530 (695)	1700 (770)	1820 (825)	1900 (860)	-	-	-	-	-	-	-	-
FT030H-5	1-1/4	.253 (6.4)	420 (190)	550 (250)	740 (335)	1000 (450)	1200 (545)	1550 (700)	1760 (800)	1850 (840)	2000 (907)	2200 (1000)	-	-	-	-	-	-	-	-
FT030H-6	1-1/2	.438 (11)	580 (263)	800 (362)	1200 (544)	1680 (762)	2600 (1179)	3500 (1387)	4500 (2041)	5200 (2358)	5700 (2585)	6100 (2766)	-	-	-	-	-	-	-	-
FT075H-3	3/4	.166 (4.2)	160 (72)	210 (95)	280 (125)	360 (165)	520 (235)	700 (320)	800 (360)	870 (395)	930 (420)	970 (440)	1120 (510)	1230 (560)	1300 (590)	1450 (658)	-	-	-	-
FT075H-4	1	.166 (4.2)	160 (72)	210 (95)	280 (125)	360 (165)	520 (235)	700 (320)	800 (360)	870 (395)	930 (420)	970 (440)	1120 (510)	1230 (560)	1300 (590)	1450 (658)	-	-	-	-
FT125H-3	3/4	.125 (3.2)	100 (45)	130 (60)	170 (77)	230 (104)	330 (150)	410 (186)	500 (225)	560 (255)	620 (280)	660 (300)	750 (340)	830 (375)	890 (400)	970 (440)	1100 (500)	1190 (540)	-	-
FT125H-4	1	.125 (3.2)	100 (45)	130 (60)	170 (77)	230 (104)	330 (150)	410 (186)	500 (225)	560 (255)	620 (280)	660 (300)	750 (340)	830 (375)	890 (400)	970 (440)	1100 (500)	1190 (540)	-	-
FT175H-3	3/4	.106 (2.7)	70 (32)	80 (36)	110 (50)	140 (63)	220 (100)	280 (127)	340 (155)	380 (172)	400 (180)	420 (190)	460 (210)	480 (220)	520 (235)	580 (263)	690 (315)	850 (385)	960 (435)	1000 (454)
FT175H-4	1	.106 (2.7)	70 (32)	80 (36)	110 (50)	140 (63)	220 (100)	280 (127)	340 (155)	380 (172)	400 (180)	420 (190)	460 (210)	480 (220)	520 (235)	580 (263)	690 (315)	850 (385)	960 (435)	1000 (454)

Xylem Inc.
 8200 N. Austin Avenue
 Morton Grove, IL 60053
 Phone (847)966-3700
 Facsimile (847)966-9052
 www.hoffmanspecialty.com