

APRON BATH K-1184-LA ALSO K-1184-RA

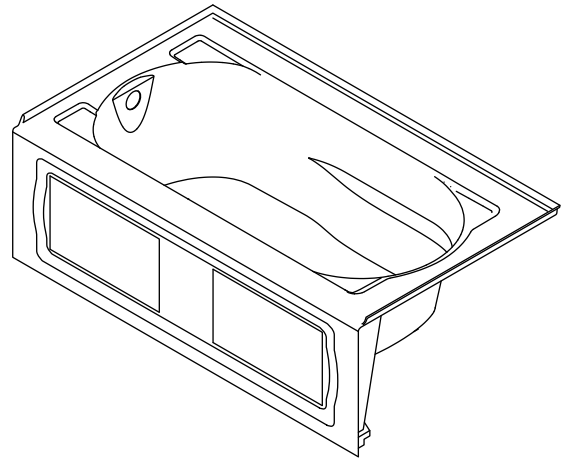
Features

- Acrylic
- Alcove installation
- Integral apron and integral tile flange
- Left or right drain
- Arm rests and lumbar support to cradle the body
- Textured bottom surface
- 60" (1524 mm) x 32" (813 mm) x 21-1/4" (540 mm)

Codes/Standards Applicable

Specified model meets or exceeds the following:

- CSA B45.5/IAPMO Z124
- ASTM E162
- ASTM E662



Colors/Finishes

- 0: White
- Other: Refer to Price Book for additional colors/finishes

Accessories

- CP: Polished Chrome
- PB: Vibrant® Polished Brass
- Other: Refer to Price Book for additional colors/finishes

Specified Model

Model	Description	Colors/Finishes	
K-1184-LA	Apron bath, left drain (shown)	<input type="checkbox"/> 0	<input type="checkbox"/> Other _____
K-1184-RA	Apron bath, right drain	<input type="checkbox"/> 0	<input type="checkbox"/> Other _____

Recommended Accessories

Model	Description	CP	PB	Other
K-7161-AF	Pop-up drain – above-the-floor installation OR	<input type="checkbox"/>	<input type="checkbox"/>	<input type="checkbox"/> Other _____
K-7213	Cable drain with PVC tee and pipe OR	<input type="checkbox"/>	<input type="checkbox"/>	<input type="checkbox"/> Other _____
K-7214	Cable drain without PVC tee and pipe OR	<input type="checkbox"/>	<input type="checkbox"/>	<input type="checkbox"/> Other _____
K-7259	Toe-tap drain	<input type="checkbox"/>		<input type="checkbox"/> Other _____

Optional Accessories

Model	Description	0	Other
K-1491	Bath pillow	<input type="checkbox"/>	<input type="checkbox"/> Other _____
K-1601	Bath footstop	<input type="checkbox"/>	<input type="checkbox"/> Other _____

Product Specification

The acrylic bath shall be 60" (1524 mm) in length, 32" (813 mm) in width, and 21-1/4" (540 mm) in height. Bath shall be for alcove installation. Bath shall have a left or right drain. Bath shall feature an integral apron and integral tile flange. Bath shall have arm rests and lumbar support to cradle the body. Bath shall feature a textured bottom surface. Bath shall be Kohler Model K-1184-____-____.

DEVONSHIRE®

Technical Information

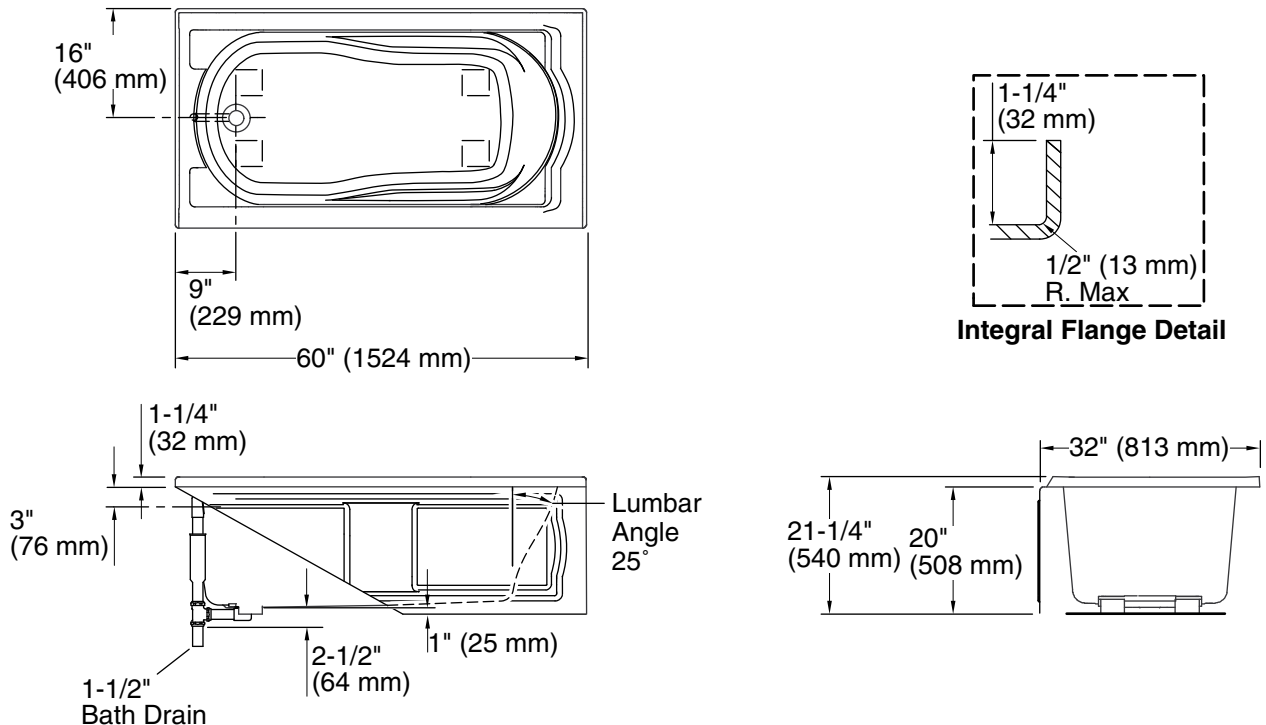
Fixture*:	
Bathing well:	
Basin area, bottom	42" (1067 mm) x 20" (508 mm)
Basin area, top	51" (1295 mm) x 24" (610 mm)
Weight	80 lbs (36.3 kg)
To overflow:	
Water depth	14" (356 mm)
Capacity	60 gal (277.1 L)
* Approximate measurements for comparison only.	

Installation Notes

Install this product according to the installation guide.

Floor support under bath must provide for a minimum of 41 lbs/square foot (202 kg/square meter) loading.

No change in measurements if connected with drain illustrated. (K-7161-AF)



Product Diagram