


**For Residential and Commercial Applications**

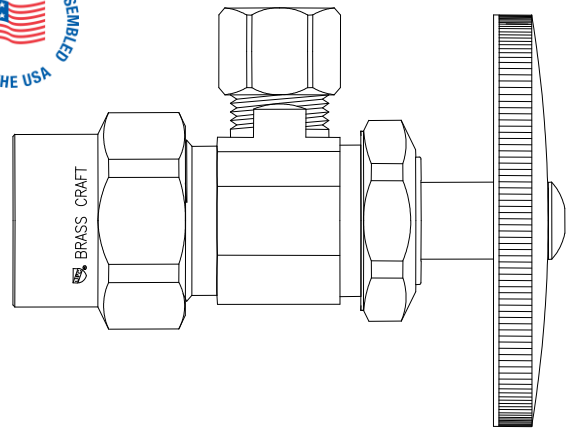
Job Name		Engineer / Architect	
Job Location		Wholesaler	
Submittal Date		Contractor	

## MPR19 Multi-Turn Angle Stop – CPVC x Compression

**Use:** For use in potable water distribution systems. Not intended for recirculating water systems that produce continuous use temperatures above 115° F. For those applications, use our KT™ series ball stops.

**Design Features:**

- **Machined one-piece brass body** provides strength, durability, and long-lasting performance
- **Oval knurled handle** provides a secure grip and smooth on/off operation
-  **No Lead**



**Operating Specifications:**

**Temperature:** 40° - 140° F  
**Pressure:** 125 PSI maximum

**Standard**

STOP MATERIAL SPECIFICATIONS	
<b>Body</b>	Brass or brass, chrome plated
<b>Stem</b>	POM
<b>Handle</b>	Die cast zinc, plated
<b>Handle Screw</b>	Steel, zinc plated
<b>Bib &amp; Packing Washer</b>	Rubber
<b>Packing Nut</b>	Brass or brass, chrome plated
<b>CPVC Insert</b>	CPVC 23447-B
<b>CPVC Washer</b>	Rubber
<b>Compression Sleeve</b>	Brass
<b>Compression Nut</b>	Brass or brass, chrome plated
<b>CPVC Nut</b>	Brass or brass, chrome plated

**Compliant**

STOP MATERIAL SPECIFICATIONS	
<b>Body</b>	Compliant brass or Compliant brass, chrome plated
<b>Stem</b>	POM
<b>Handle</b>	Die cast zinc, plated
<b>Handle Screw</b>	Steel, zinc plated
<b>Bib &amp; Packing Washer</b>	Rubber
<b>Packing Nut</b>	Brass or brass, chrome plated
<b>CPVC Insert</b>	CPVC 23447-B
<b>CPVC Washer</b>	Rubber
<b>Compression Sleeve</b>	Brass
<b>Compression Nut</b>	Brass or brass, chrome plated
<b>CPVC Nut</b>	Brass or brass, chrome plated

**Standard Part Listing:**

- MPR19 C 1/2" nom CPVC x 3/8" OD compression, chrome plated, metal handle
- MPR19 R 1/2" nom CPVC x 3/8" OD compression, rough brass, metal handle

## MPR19 Multi-Turn Angle Stop – CPVC x Compression

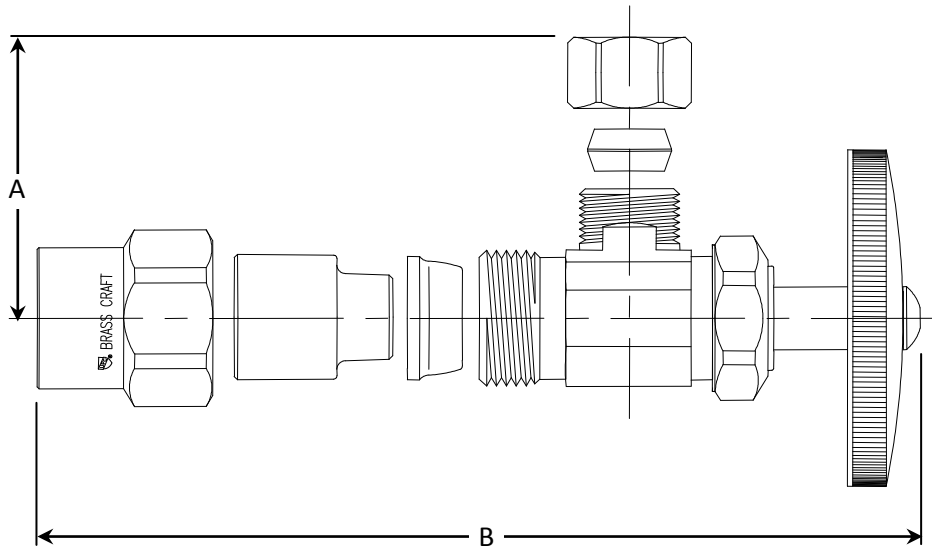
*This specification and all information contained herein is the confidential and exclusive property of BrassCraft Manufacturing, and shall not be disclosed to others without the written consent of BrassCraft Mfg. This specification must be returned to BrassCraft Mfg if requested.*



**Compliant Part Listing:**

- MPR19X C 1/2" nom CPVC x 3/8" OD compression, chrome plated, metal handle
- MPR19X R 1/2" nom CPVC x 3/8" OD compression, rough brass, metal handle

<b>PART DIMENSIONS (Inches)</b>		
Model	DIM. A	DIM. B
MPR19	1.02	3.09



**Listings & Certifications:**

- IAPMO listed to ASME A112.18.1 / CSA B125.1 (File # 0645)
- CSA listed to ASME A112.18.1 / CSA B125.1 (File # 204593)
- Compliant product CSA listed to Low Lead Content Certification Program – Plumbing Products Class 6853-01



*This specification and all information contained herein is the confidential and exclusive property of BrassCraft Manufacturing, and shall not be disclosed to others without the written consent of BrassCraft Mfg. This specification must be returned to BrassCraft Mfg if requested.*

**BrassCraft®**