

Location:



# SYMMONS® Duro™

## Shower Valve System 3600

### Specification Submittal



#### Feature Highlights

- Symmons Shower Valve System with Symmons Temptrol® pressure-balancing mixing valve with adjustable stop screw to limit handle turn
- Screwless escutcheon
- Lever style handle
- Polished chrome finish (standard)

#### Model Numbers

- 3600  
Shower Valve System with Symmons Temptrol® mixing valve p/n 4000-BODY
- 3600-TRM  
Trim only, mixing valve ordered separately
- 3600-REB-TRM  
Rebuild kit, Trim only, includes TA-10 flow control spindle and TA-4 hot/cold seat
- 4000-BODY  
Symmons Temptrol® mixing valve without trim
- 4000-X-BODY  
Symmons Temptrol® mixing valve without trim. Valve includes integral service stops to allow water shut-off for service

#### Finish Options / Modifications

Append appropriate -suffix to model number

- STN Satin nickel
  - Polished chrome (standard finish)

#### Options / Modifications

Append appropriate -suffix to model number

- IPS 1/2 inch female IPS connections on Symmons Temptrol® mixing valve
- X Integral service stops included with Temptrol mixing valve to allow water shut-off for service, p/n 4000-X-BODY (option only applies when ordering model 3600)
- CHKS Check Stops: Temptrol® mixing valve includes integral check stops (Requires integral service stops, suffix -X. Used in installations where a positive shut-off device is used downstream of mixing valve.)
- REV Reverse core: Temptrol® mixing valve with reverse core. (Requires integral service stops, suffix -X. Used in back-to-back system installations. HOT on the right, COLD on the left)
- LW Wide lever handle (chrome finish only)

#### Standards / Certifications

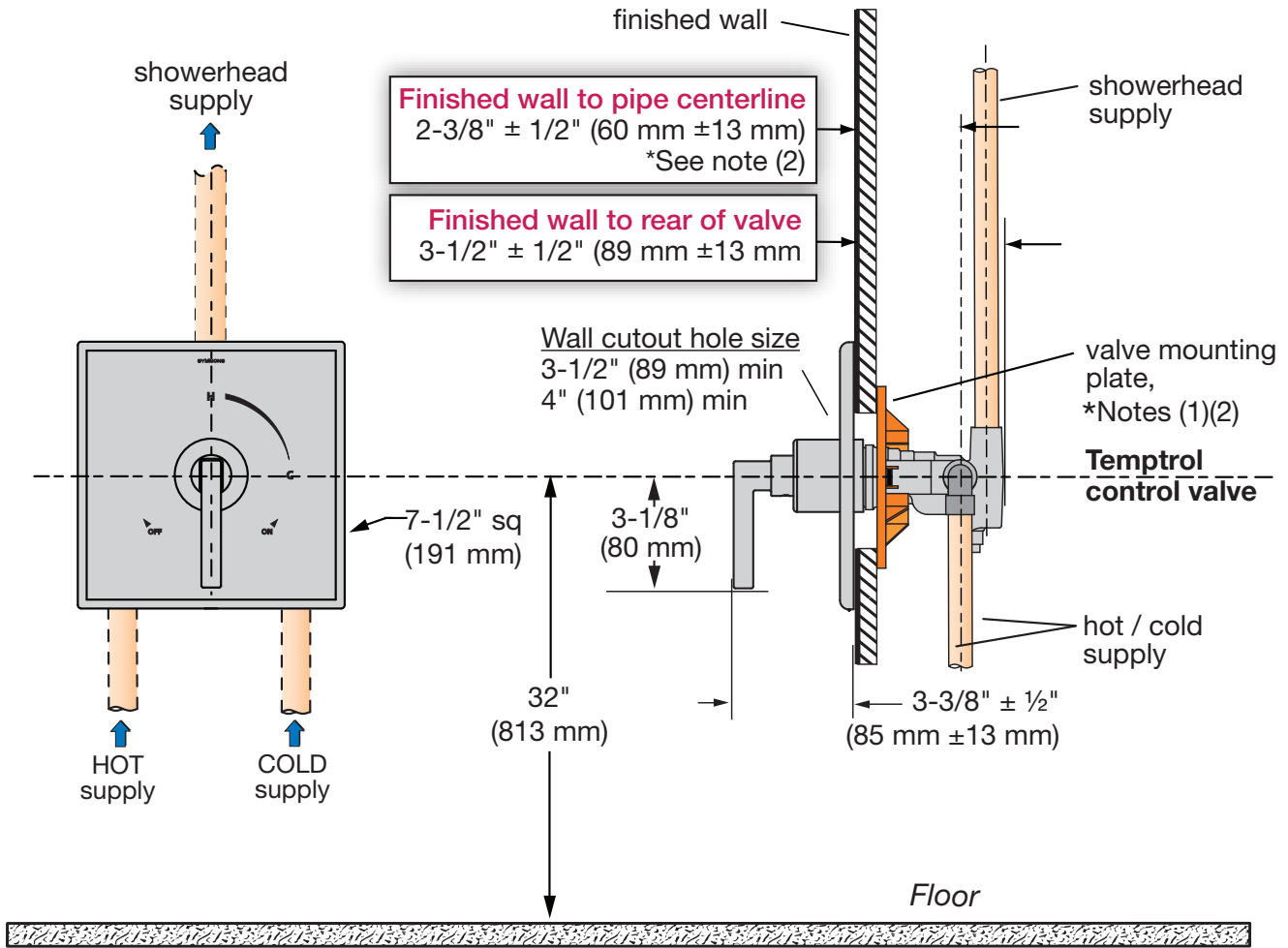
ASME A112.18.1-2005 / CSA B125.1-05

Americans with Disabilities Act (ADA) compliant

#### Warranty

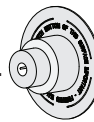
- Limited Lifetime - to the original end purchaser in consumer installations
- 5 years - for commercial installations

# Dimensions Duro Shower Valve System, 3600



**\* Notes:**

- (1) Walls for using T-177 mounting plate (MP)
  - Wall is 1/16" (2 mm) min • 1/2" (13 mm) max
  - Fiber or acrylic walls (MP required)
  - Plaster or other type walls 1/2" or less (MP optional)
  - Protective shield usage (optional)
- (2) Dry wall, plaster or other type walls 1/2" or greater
  - Protective shield is required; snaps on end of valve spindle....
- (3) Do not install positive shut-off devices or devices that do not allow the valve to flow at least 1.5 gpm on control valve outlets.
- (4) Dimensions subject to change without notice



Protective Shield  
p/n T-176