

For Residential and Commercial Applications

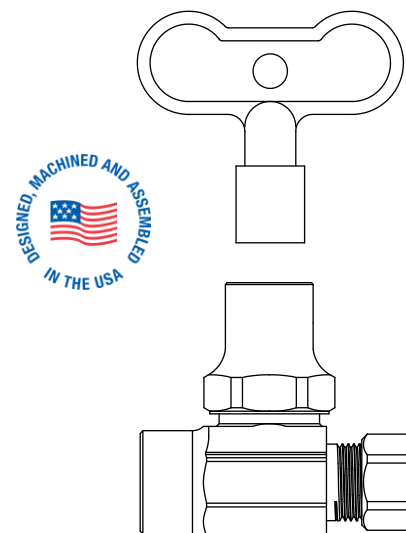
Job Name		Engineer / Architect	
Job Location		Wholesaler	
Submittal Date		Contractor	

SR14 Multi-Turn Straight Stop w/ Loose Key – Sweat x Compression

Use: For use in potable water distribution systems. Not intended for recirculating water systems that produce continuous use temperatures above 115° F. For those applications, use our KT™ series ball stops

Design Features:

- **Machined one-piece brass body** provides strength, durability, and long-lasting performance
- **Large loose key handle** provides a secure grip for trouble-free on/off operation
- **Removable loose key handle** helps protect against accidental stop operation during rough-ins and general use
- **No Lead**



Operating Specifications:

Temperature: 40° - 140° F
Pressure: 125 PSI maximum

Standard

STOP MATERIAL SPECIFICATIONS	
Body	Brass or brass, chrome plated
Stem	Brass or brass, chrome plated
Bib & Packing Washers	Rubber
Packing Nut	Brass or brass, chrome plated
Loose Key	Zinc, die cast
Loose Key Stem	Brass
Compression Sleeve	Brass
Compression Nut	Brass or brass, chrome plated

No Lead

STOP MATERIAL SPECIFICATIONS	
Body	No-Lead brass or No-Lead brass, chrome plated
Stem	No-Lead brass or No-Lead brass, chrome plated
Bib & Packing Washers	Rubber
Packing Nut	Brass or brass, chrome plated
Loose Key	Zinc, die cast
Loose Key Stem	Brass
Compression Sleeve	Brass
Compression Nut	Brass or brass, chrome plated

Standard Part Listing:

- SR14 C 1/2" nom sweat x 3/8" OD compression, loose key, chrome plated
- SR14 R 1/2" nom sweat x 3/8" OD compression, loose key, rough brass

No-Lead Part Listing:

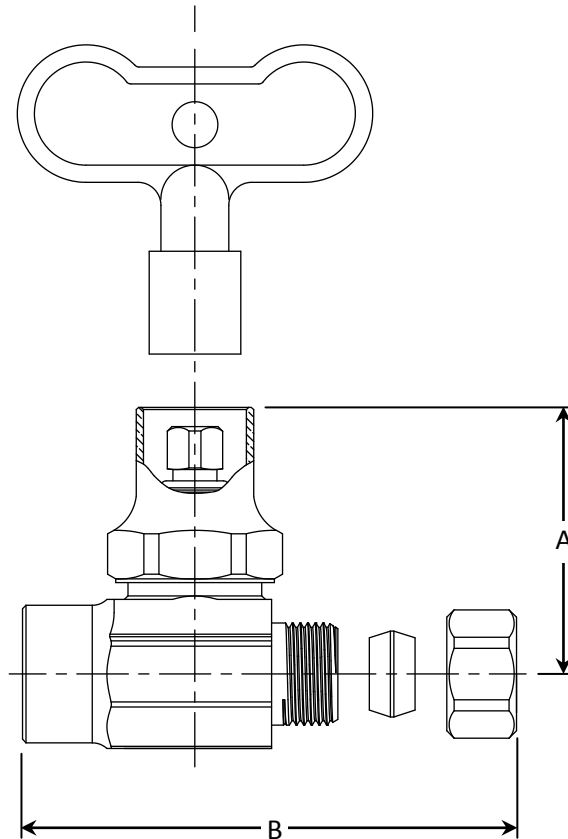
- SR14X C 1/2" nom sweat x 3/8" OD compression, loose key, chrome plated

This specification and all information contained herein is the confidential and exclusive property of BrassCraft Manufacturing, and shall not be disclosed to others without the written consent of BrassCraft Mfg. This specification must be returned to BrassCraft Mfg if requested.



SR14 Multi-Turn Straight Stop w/ Loose Key – Sweat x Compression

PART DIMENSIONS (Inches)		
Model	DIM. A	DIM. B
SR14	1.45	2.00



Listings & Certifications:

- IAPMO listed to ASME A112.18.1 / CSA B125.1 (File # 0645)
- CSA listed to ASME A112.18.1 / CSA B125.1 (File # 204593)
- No-Lead product CSA listed to Low Lead Content Certification Program – Plumbing Products Class 6853-01



This specification and all information contained herein is the confidential and exclusive property of BrassCraft Manufacturing, and shall not be disclosed to others without the written consent of BrassCraft Mfg. This specification must be returned to BrassCraft Mfg if requested.