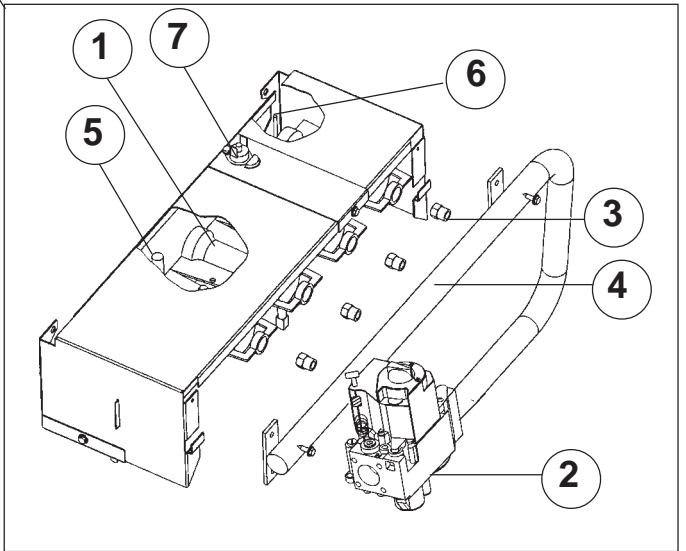
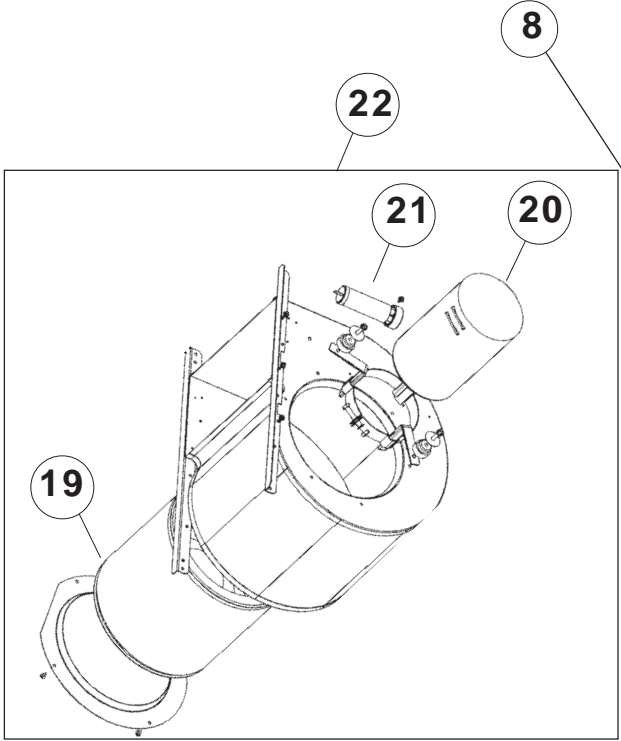
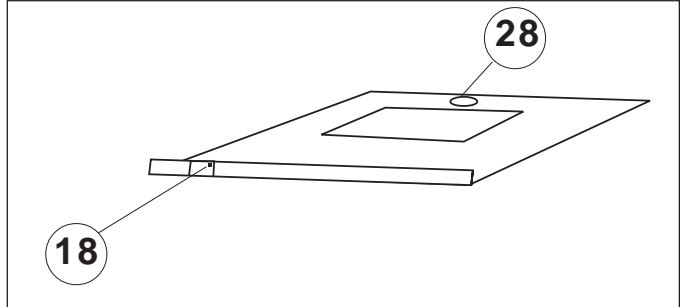
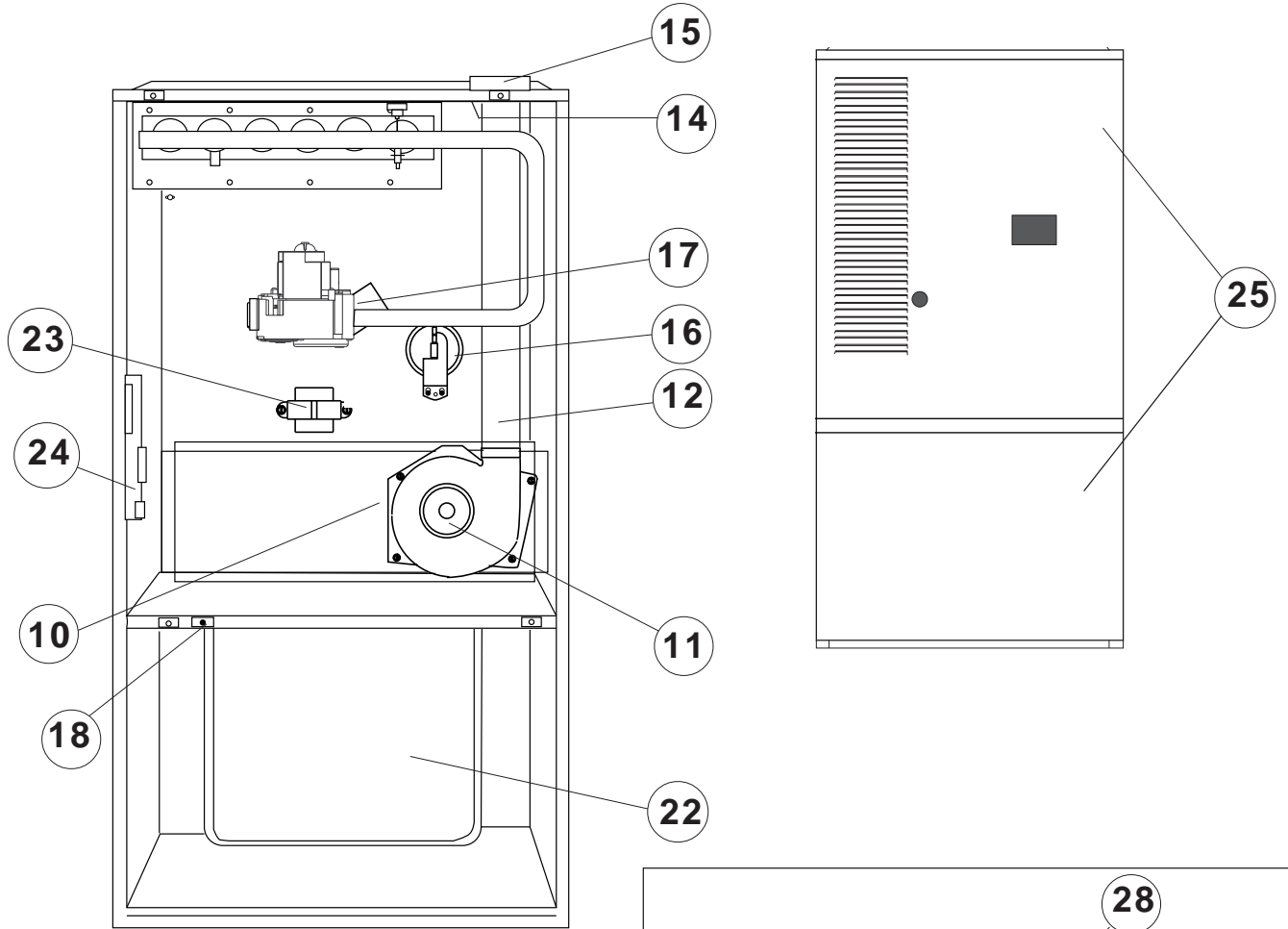


Residential 80+ Upflow/Horizontal Furnace Model *G6RA

ITEM NO.	DESCRIPTION	045()-08	060()-12	072()-12	072()-16	096()-12	096()-16	096()-20	120()-16	120()-20	144()-20
1	Inshot Burner (Not Shown)	660812	660812	660812	660812	660812	660812	660812	660812	660812	660812
2	Gas Valve VR8205	624586	624586	624586	624586	624586	624586	624586	624586	624586	624586
3	Orifice, Main Burner, No. 44	661044	-	-	-	-	-	-	-	-	-
	Orifice, Main Burner, No. 45	-	661045	-	-	-	-	-	-	-	-
	Orifice, Main Burner, No. 43	-	-	661043	661043	661043	661043	661043	661043	661043	661043
4	Manifold	663549	663550	663550	663550	663551	663551	663551	663552	663552	663553
5	Ignitor Flat (All Models)	903758	903758	903758	903758	903758	903758	903758	903758	903758	903758
6	Flame Sensor	632396	632396	632396	632396	632396	632396	632396	632396	632396	632396
7	Flame Roll-Out Limit, 300°F	626343	626343	626343	626343	626343	626343	626343	626343	626343	626343
8	Complete Burner Assembly	D11241R	D11251R	D11261R	D11261R	D11271R	D11271R	D11271R	D11281R	D11281R	D11291R
9	Heat Exchanger	493211R	493212R	493212R	493213R	493214R	493214R	493215R	493216R	493217R	493218R
10	Collector Pan Assembly	158610R	158611R	158612R	158619R	158621R	158621R	158624R	158622R	158625R	158625R
11	Inducer Blower with Gasket	903111	903111	903111	903111	903111	903111	903111	903111	903111	903111
12	Tube, Combustion	374670	374670	374670	374670	374670	374670	374670	374670	374670	374670
13	Vent Control Assembly	372570R	372581R	372582R	372583R	372584R	372584R	372584R	372584R	372586R	372590R
14	Switch, Vent Limit, 220 °F (Not Shown)	-	626354	-	-	-	-	-	-	-	-
	Switch, Vent Limit, 230 °F (Not Shown)	626353	-	-	-	-	-	-	-	-	626353
	Switch, Vent Limit, 240 °F (Not Shown)	-	-	-	626355	-	-	-	-	626355	-
	Switch, Vent Limit, 260 °F (Not Shown)	-	-	626350	-	626350	626350	626350	626350	-	-
15	Hose, High-Temp. Silicone (Not Shown)	263967	263967	263967	263967	263967	263967	263967	263967	263967	263967
16	Switch, Pressure	632212	632212	632212	632212	632212	632212	632212	632212	632212	632212
17	Switch, Over-temp. Limit, 150/20°F	-	626418	626418	-	-	-	-	-	-	626418
	Switch, Over-temp. Limit, 180/20°F	-	-	-	-	-	-	626434	-	626434	-
	Switch, Over-temp. Limit, 195/20°F	-	-	-	-	626419	-	-	-	-	-
	Switch, Over-temp. Limit, 210/20°F	626425	-	-	-	-	-	-	626425	-	-
	Switch, Over-temp. Limit, 250/20°F	-	-	-	626449	-	626449	-	-	-	-
18	Switch, Door	632125	632125	632125	632125	632125	632125	632125	632125	632125	632125
19	Wheel, Blower, CCW	667251	667251	667251	667271	667295	667271	667277	667271	667277	667277
20	Motor - 1/5 HP (3 Speed)	902126	-	-	-	-	-	-	-	-	-
	Motor - 1/3 HP (3 Speed)	-	902127	902127	-	902127	-	-	-	-	-
	Motor - 1/2 HP (4 Speed)	-	-	-	902128	-	902128	-	902128	-	-
	Motor - 3/4 HP (4 Speed)	-	-	-	-	-	-	902346	-	902346	902346
	Motor Mount 3/4 HP Motor only (Not Shown)	-	-	-	-	-	-	668926	-	668926	668926
	Motor Mount Arm (Not Shown)	-	-	-	-	-	-	668927	-	668927	668927
21	Capacitor, 5 MFD, 370V	621433	621433	621433	-	-	-	-	-	-	-
	Capacitor, 10 MFD, 370V	-	-	-	621435	621435	621435	621435	621435	621435	621435
22	Complete Blower Ass'y	902813	902814	902814	902815	903443	902815	902816	902815	902816	902816
23	Transformer, 40 VA, 120V	621486	621486	621486	621486	621486	621486	621486	621486	621486	621486
24	Control, Integrated (G4,G5,G6)	903106	903106	903106	903106	903106	903106	903106	903106	903106	903106
	Control, Box (G3)	903108	903108	903108	903108	903108	903108	903108	903108	903108	903108
25	Access Doors with Louvers (Not Shown)	903112	903112	903112	903113	903113	903113	903114	903113	903114	903114
26 ¹	Gasket, Collector Pan (Not Shown)	689350	689350	689350	689359	689359	689359	689358	689359	689358	689358
27	3 AMP Circuit Board Fuse (Not Shown)	632261	632261	632261	632261	632261	632261	632261	632261	632261	632261
28	Blower Deck Limit 135°F	-	-	-	626464	626464	626464	-	626464	-	-
29	Gasket, Collector Pan (Not Shown)	689071	689071	689071	689072	689072	689072	689073	689072	689073	689073

¹ Replace gasket whenever collector pan assembly (Item 11) is removed.

***G6RA 80+ Upflow/Horizontal**



RPL #9916