

CODE NUMBER

3346051

DESCRIPTION

Optima® Deck-Mounted Liquid Soap Dispenser, Plug-In Transformer, Polished Chrome Finish

DETAILS

- Finish: Polished Chrome (CP)
- Power Type: Hardwired
- Height: 4 ¼" (108mm)
- Width: 1 ½" (46mm)
- Depth: 5 ⅜" (137mm)
- Maximum Deck Thickness: 2" (51mm)
- Sensor Type: IR
- Transformer: Plug-In (PLG)

FEATURES

Sensor Activated, Electronic, Chrome Plated Die Cast Body, Hand Washing Liquid Soap Dispenser with the following features:

- Modular One-piece Construction and easily attaches to deck surface
- Active Infrared Sensor
- Low Soap Level Indicator
- 120 V AC Plug-in Adaptor
- One tool service
- Black Plastic Throat Plate
- All electronics sealed
- Unit supplied with one 800 ml. Container of Lotion Soap

ELECTRICAL SPECIFICATIONS

- AC Power Plug-In Only: Yes

SOAP REFILLS

- ESD-217 (800mL)
- ESD-232 (1600mL)
- ESD-231 (800mL)
- ESD-233 (1600mL)

**COMPLIANCES & CERTIFICATIONS**

(ADA Compliant, WELL Building Standard)

RECOMMENDED SPECIFICATION

Sloan Optima Liquid Soap Dispenser model number ESD-200. Chrome plated finish with black plastic throat plate.

DOWNLOADS

- [ESD 200/250/300/350 Installation Instructions](#)
- [ESD-200/250/300/350 Repair and Maintenance Guide](#)
- [Additional Downloads](#)

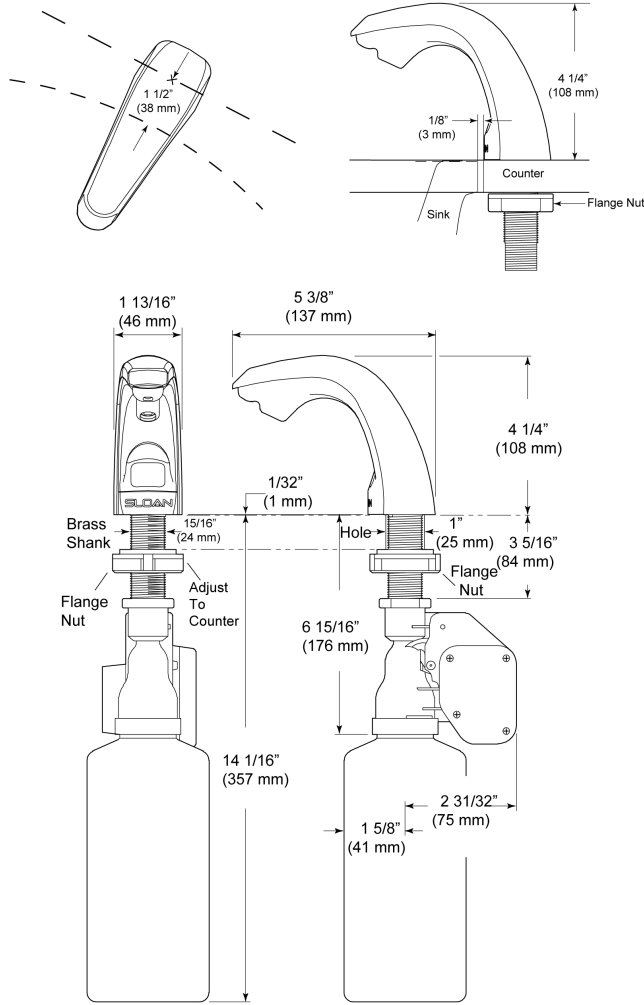
NOTES

All information contained within this document subject to change without notice.


WARRANTY

[View Warranty Information](#)

ROUGH-IN



MATCHING FAUCETS

Name	Description	View more info
	ETF-80 Optima [®] Hardwired-Powered Deck-Mounted Mid Body	View more info

Sloan 10500 Seymour Ave, Franklin Park, IL 60131
 Phone: 800.982.5839 • Fax: 800.447.8329 • sloan.com