

77W SERIES

Bronze APOLLOXPRESS® Ball Valve

Press x Press, Maximum operating pressure, 250 psi.
 Temperature range, 0°F-250°F,
 MSS SP-110 compliant.
 Directive 2002/95/CE (RoHS) compliant.



FEATURES

- Full-port
- Adjustable stem packing
- Fast, easy, economical installation
- Leak Before Press® feature
- Blow-out proof stem
- Corrosion resistant materials
- 100% factory tested

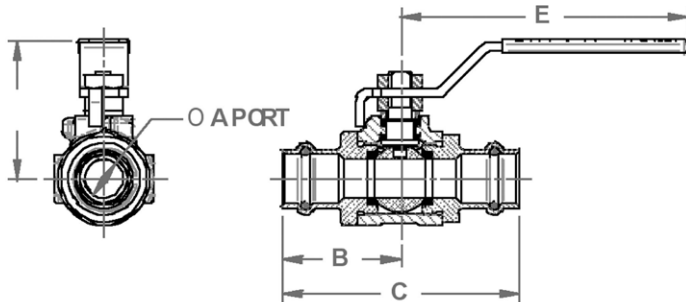
- Silicon free
- Ridgid® Press tool compatible

VARIATIONS AVAILABLE:

77W-140 Series (316 SS Ball & Stem)

OPTIONS AVAILABLE: (More information in Section J)

| (SUFFIX) | OPTION | SIZES |
|----------|------------------------------------|--------------|
| -01 | Standard Configuration | All |
| -04- | 2.25" Stem Extension | 1/2" to 2" |
| -07- | Tee Handle | 1/2" to 2" |
| -10- | S.S. Handle and Nut | 1/2" to 2" |
| -11- | Therma-Seal™ Insulating Tee Handle | 3/8" to 2.5" |
| -18- | Plain Grip | 1/2" to 2" |
| -50- | 2.25" Locking Extension | 1/2" to 2" |
| -92- | Balancing Stop | 1/2" to 2" |
| -94- | 2.25" Stem Ext. & Balancing Stop | 1/2" to 2" |
| -HC- | Hose Cap & Chain | 1/2" to 1" |



STANDARD MATERIAL LIST

| PART | MATERIAL |
|----------------|----------------------------------|
| 1 Body | B584-C84400 |
| 2 Seat | Multifill PTFE |
| 3 Ball | ASTM B16 |
| 4 Stem packing | Multifill PTFE |
| 5 Nut | Zinc plated steel |
| 6 Stem | ASTM B16 |
| 7 Retainer | ASTM B16 |
| 8 Handle | Plated steel/insulated polyvinyl |
| 9 Gland | Brass, ASTM B16, UNS# C36000 |
| 10 O-ring | EPDM |

| PRODUCT NUMBER | SIZE | A | B | C | D | E | WT. |
|----------------|-------|------|------|------|------|------|------|
| 77W-103-01 | 1/2" | 0.50 | 1.54 | 3.08 | 1.50 | 3.74 | 0.61 |
| 77W-104-01 | 3/4" | 0.75 | 1.78 | 3.55 | 2.01 | 4.78 | 1.09 |
| 77W-105-01 | 1" | 1.00 | 1.93 | 3.86 | 2.20 | 4.78 | 1.77 |
| 77W-106-01 | 1.25" | 1.25 | 2.44 | 4.87 | 3.13 | 7.04 | 4.27 |
| 77W-107-01 | 1.5" | 1.50 | 2.91 | 5.81 | 3.10 | 7.04 | 4.63 |
| 77W-108-01 | 2" | 2.00 | 3.74 | 7.47 | 3.48 | 7.04 | 8.21 |

FOR PRESSURE/TEMPERATURE RATINGS, REFER TO PAGE M-10, GRAPH NO. 4

