

Location:



SYMMONS® Allura



S-4702-TRM, S4702TRMTC


Tub/Shower Trim

Specification Submittal

Feature Highlights

- Allura Tub/Shower Trim
- Requires Temptrol® Pressure Balancing Tub/Shower Valve
- Integral diverter control
- Metal lever handle
- 5-1/4" non-diverter tub spout
- 3 mode showerhead
- 2.0 gpm (7.6 L/min) flow restrictor
- Components shall be metal and nonmetallic construction, plated in standard Polished Chrome finish
- Available with TA-10 flow control spindle and T-12A cap assembly for Temptrol valve bodies installed with Test Cap (order p/n S4702TRMTC)

Options/Modifications

- 1.5**  1.5 gpm (5.7 L/min) flow restrictor
- L1** Less showerhead
- STN** Satin Nickel finish

Note: Append appropriate -suffix to model number.

Model Numbers

- S-4702-TRM**
Tub/Shower Trim with integral diverter control, Temptrol Pressure Balancing Tub/Shower Valve ordered separately
- S4702TRMTC**
Tub/Shower Trim with integral diverter control, TA-10 flow control spindle and T-12A cap assembly, must order Temptrol valve with Test Cap

Warranty

Limited Lifetime - to the original end purchaser in consumer/residential installations.

10 Years - for commercial/industrial installations. Refer to www.symmons.com/warranty for complete warranty information.



Compliance

- ASME A112.18.1/CSA B125.1

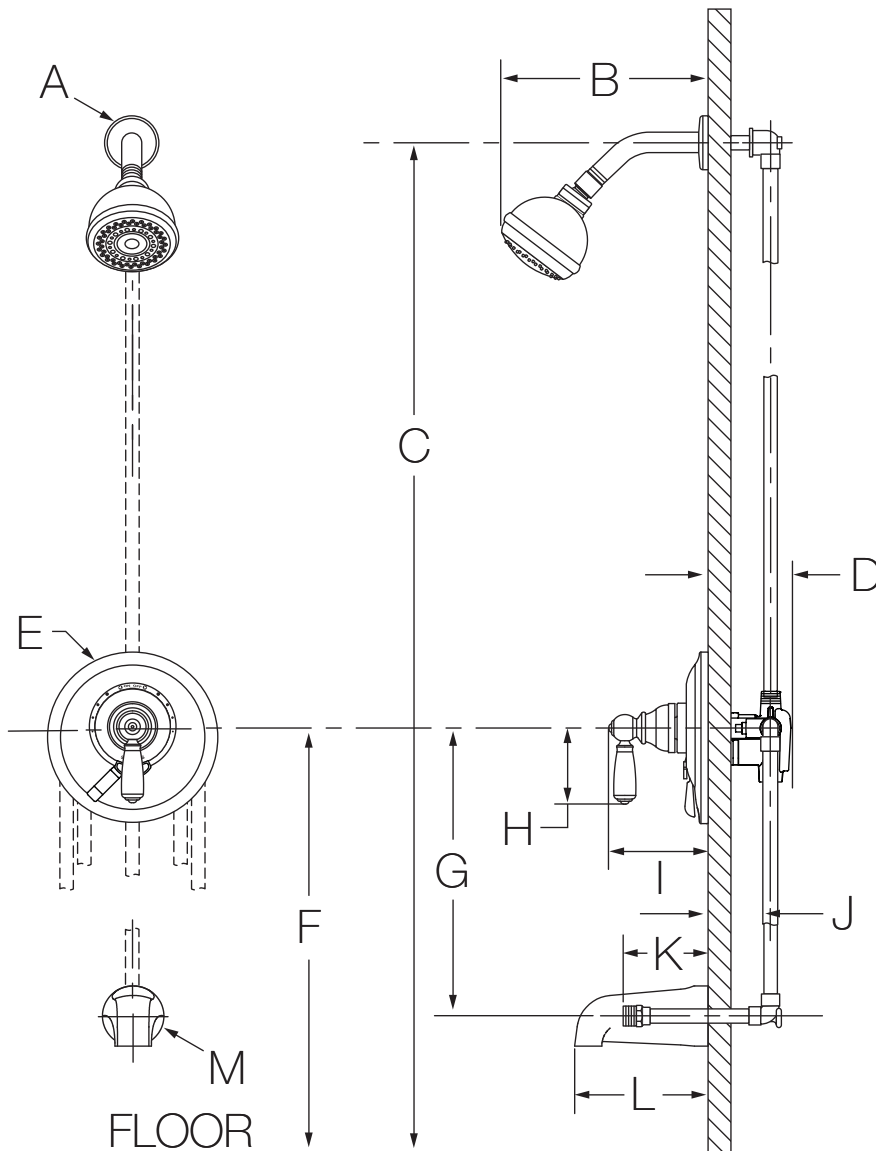


Architectural/ Engineering Specification

Symmons Allura _____ With Allura Tub/Shower Trim, Requires Temptrol® Pressure Balancing Tub/Shower Valve, Integral diverter control, Metal lever handle, 5-1/4" non-diverter tub spout, 3 mode showerhead, 2.0 gpm (7.6 L/min) flow restrictor, Components shall be metal and nonmetallic construction, plated in standard Polished Chrome finish, Available with TA-10 flow control spindle and T-12A cap assembly for Temptrol valve bodies installed with Test Cap (order p/n S4702TRMTC), 10 Year commercial Warranty. ASME A112.18.1/CSA B125.1, complaint. Available options include: "1.5 - 1.5 gpm (5.7 L/min) flow restrictor", "L1 - Less showerhead", "STN - Satin Nickel finish.

S-4702-TRM, S4702TRMTC

Dimensions



Measurements	
A	Ø 2-1/2", 64 mm
B	6-3/4", 172 mm
C	Ref. 77", 1956 mm
D	3-1/2", 89 mm
E	Ø 7", 178 mm
F	Ref. 32", 813 mm
G	Ref. 12", 305 mm
H	3-1/8", 79 mm
I	4-1/8", 105 mm
J	Rough-in 2-3/8" ± 1/2", 60 mm ± 13 mm
K	Male 1/2-14 NPT fitting must protrude 4" (102 mm) from finished wall
L	5-1/4", 133 mm
M	Ø 2-1/2", 64 mm

Notes:

- 1) Valve body and piping not included and shown as reference only.
- 2) Plaster shield (p/n T-176) for dry wall, plaster or other type walls 1/2" or greater.
- 3) All dimensions measured from nominal rough-in (see J as reference).
- 4) Dimensions subject to change without notice.