

### Features

- 1/2" NPT connection
- 1.0 gpm (3.8 lpm) flow rate at 80 psi (552.6 kPA)
- MasterClean™ sprayface features an easy-to-clean surface that withstands mineral buildup

### Technology

- Katalyst<sup>®</sup> air-induction technology infuses water with air, creating bigger drops for a more powerful spray

### Recommended Products/Accessories

K-23723 Faucet cleaner



### Codes/Standards

ASME A112.18.1/CSA B125.1  
DOE - Energy Policy Act 1992  
California Energy Commission (CEC)

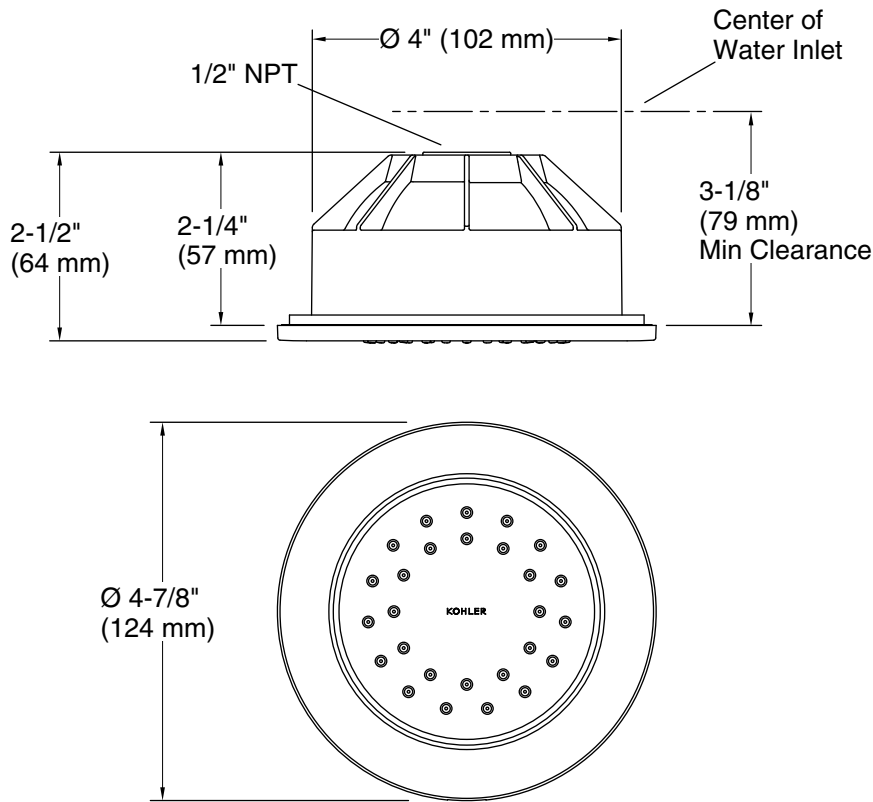
### KOHLER<sup>®</sup> Faucet Lifetime Limited Warranty

See website for detailed warranty information.

### Available Colors/Finishes

*Color tiles intended for reference only.*

Color	Code	Description
	CP	Polished Chrome
	SN	Vibrant <sup>®</sup> Polished Nickel
	BN	Vibrant <sup>®</sup> Brushed Nickel
	2BZ	Oil-Rubbed Bronze
	BL	Matte Black
	2MB	Vibrant <sup>®</sup> Brushed Moderne Brass
	TT	Vibrant Titanium



**Technical Information**

All product dimensions are nominal.

**Showerhead/Body Spray:**

Pressure: 45 psi (3.1 bar)

**Notes**

For use with automatic compensating valves rated at 1.6 gal/min (6.1 l/min) or less.

Install this product according to the installation instructions.

Caution: Risk of personal injury. To prevent water temperature fluctuation and possible scalding, use two or more 1.0 gpm body sprays to maintain valve stability.