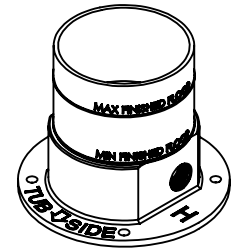




Features

- Forged rough provides solid support for installation in concrete or wood subflooring
- ϕ 5-1/2" [140] rigid base with pre-drilled screw holes to mount to underlying concrete & wood framing
- 1/2" NPT female inlets
- Includes mudguard & test plug plate

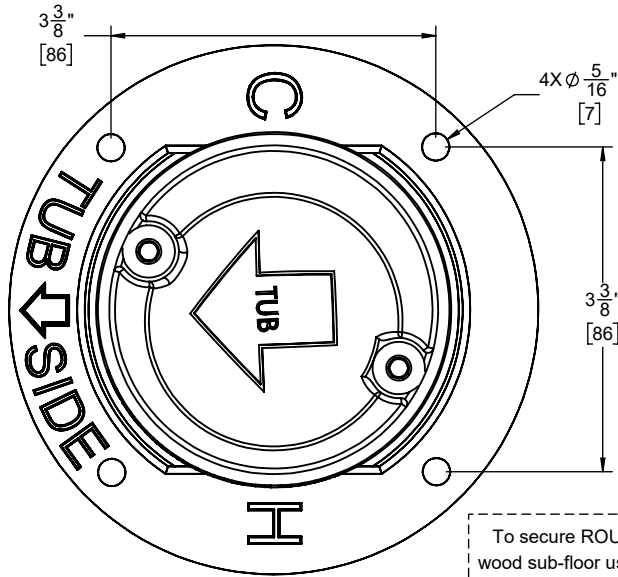
9511



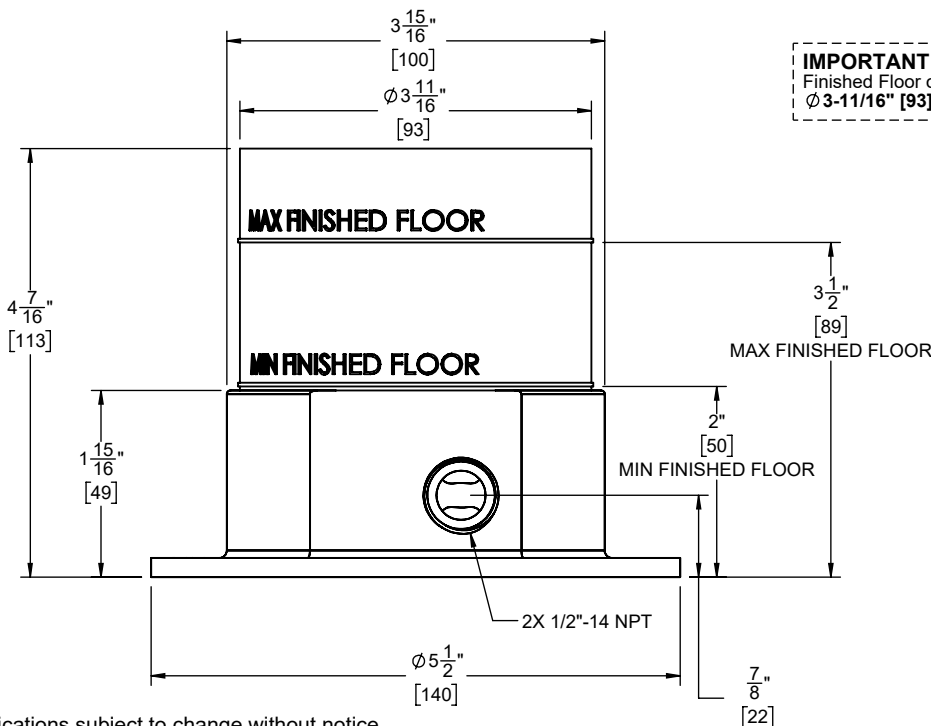
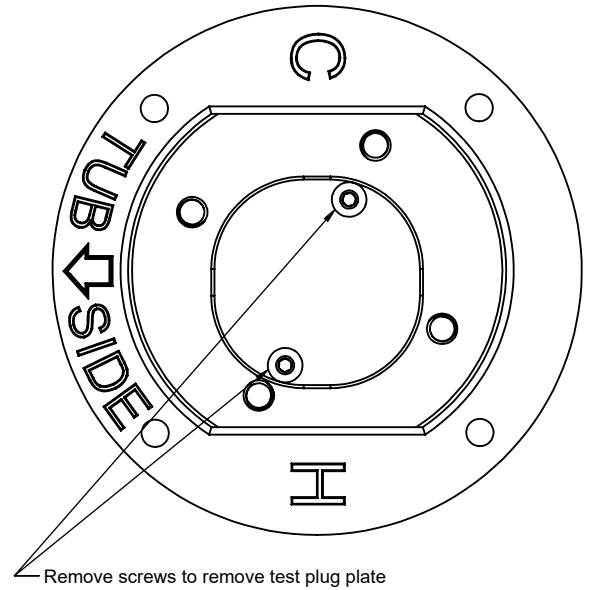
Codes/Standards Applicable

- Meets or Exceeds the following:
- ASME A112.18.1/CSA B125.1

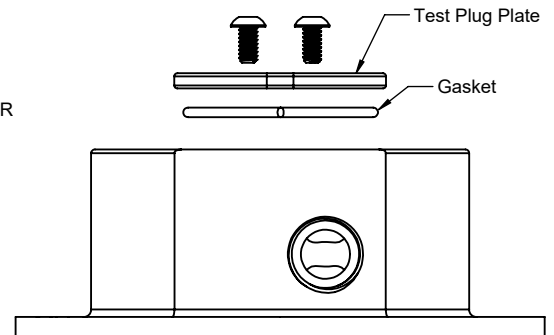
For use with
0811-XX.FR
0911-XX.FR
1011-XX.FR
1111-XX.FR
1211-XX.FR
1311-XX.FR
1411-XX.FR
7711-XX.FR
8511.FR
8511B.FR
8511W.FR
8611.FR
8611B.FR
8611W.FR
C108-ETS.FR
C108X-ETS.FR
C108XS-ETS.FR



To secure ROUGH to wood sub-floor use wood screws 1/4" X 1-1/4" min length



IMPORTANT:
Finished Floor opening **MUST** be:
 ϕ 3-11/16" [93] to ϕ 3-15/16" [100]



Specifications subject to change without notice

Dimensions are inches, rounded to 1/16"
[Dimensions in brackets are mm, rounded to 1mm]