



**Dearborn®  
Brass**

4675 W. 160th St.  
Cleveland, Ohio 44135  
Ph: (800) 321-9532  
Fax: (800) 321-9535  
www.dearbornbrass.com

**SUBMITTAL SPECIFICATION**

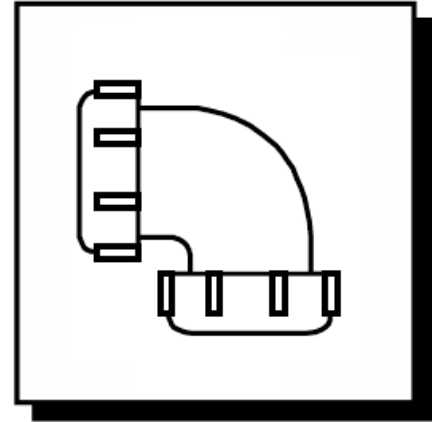
**PLASTIC TUBULAR  
90° SLIP JOINT ELBOW**

**Engineering Specification:** Dearborn Brass Plastic Tubular Slip Joint Elbow is designed for use in tubular drain applications.

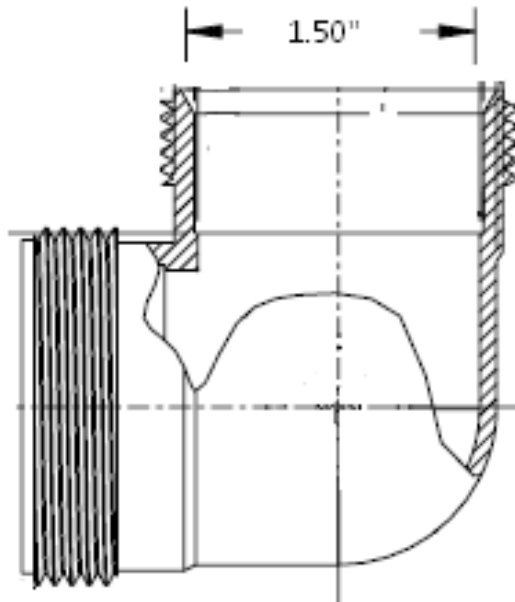
**Job Reference**

**DESCRIPTION**

- Made of white polypropylene plastic
- Plastic Tubular Slip Joint Elbow
  - Elbow
  - (2) Slip Joint Nuts
  - (2) Washers



- Meets ASTM F-409
- IAPMO Listed



✓	Product No.	Description	Carton Quantity	Carton Weight (lbs)
	P9675	1-½" 90° Slip Joint Elbow – White	25	4.5

Data is subject to manufacturing tolerances.