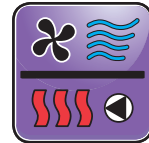


tekmar® Submittal

Mixing Control 361



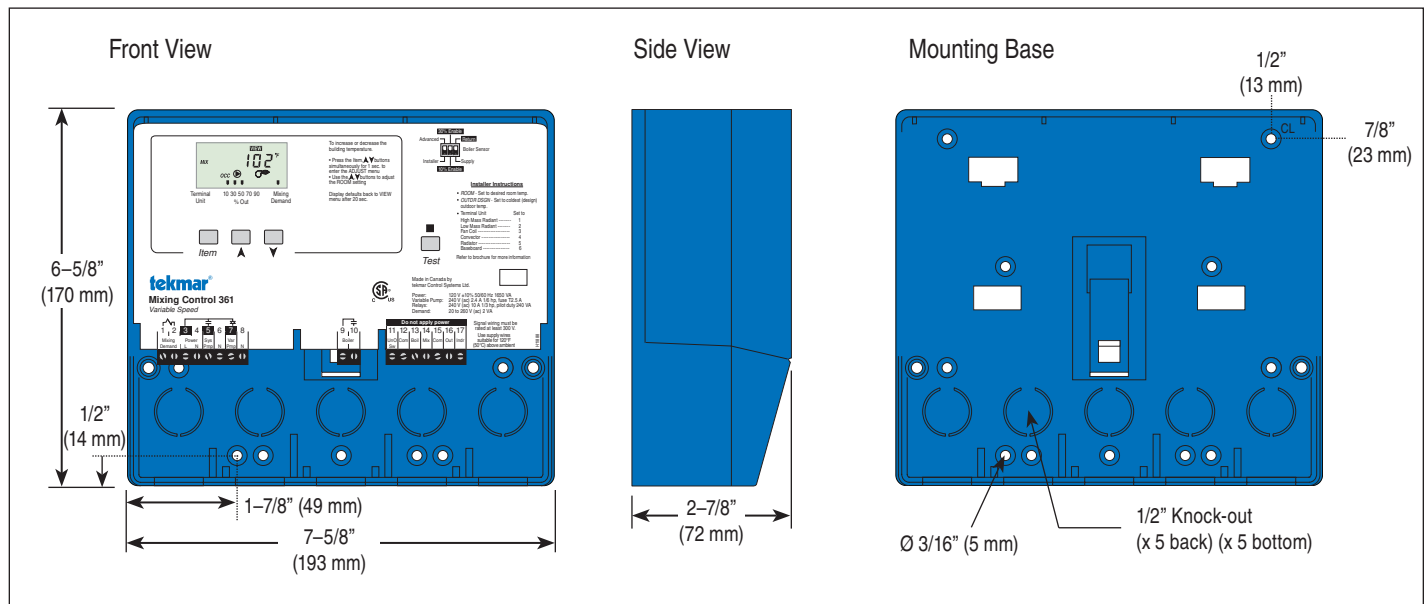
C 361

01/11

HVAC Systems Replaces: New

Job _____ Designer _____ Contact _____

The Mixing Control 361 is designed to operate a mixing pump using outdoor reset. It can be used in applications ranging from in-floor radiant to commercial baseboard systems for boiler protection with full reset. This control regulates a single heating water temperature through outdoor reset. It provides mixing by speeding up or slowing down a single permanent capacitor (standard wet rotor) circulator, and provides control of the mix system pump.



Specifications

Mixing Control 361 Variable Speed	
Literature	D361, A361, D001, D070, E021
Control	Microprocessor control. This is not a safety (limit) control
Packaged weight	3.0 lb. (1380 g)
Dimensions	6-5/8" H x 7-9/16" W x 2-13/16" D (170 x 193 x 72 mm)
Enclosure	Blue PVC plastic, NEMA type 1
Approvals	CSA C US, meets class B: ICES & FCC Part 15
Ambient conditions	Indoor use only, 32 to 104°F (0 to 40°C), RH ≤90% Non-condensing
Power supply	120 V (ac) ±10%, 50/60 Hz, 1650 VA
Variable pump	120 V (ac) 2.4 A (FLA) 5 A (LRA), fuse T2.5 A 250 V
Relays	240 V (ac) 10 A 1/3 hp
Demand	20 to 260 V (ac) 2 VA
Sensors	NTC thermistor, 10 kΩ @ 77°F (25°C ±0.2°C) β=3892
-Included	Outdoor Sensor 070 and 2 of Universal Sensor 082
-Optional	tekmar type #: 033, 076, 077, 084
Warranty	Limited 3 Year (See D361 for full warranty)

Energy Saving Features

- Outdoor Temperature Reset
- Indoor Temperature Feedback (with optional indoor sensor)
- Warm Weather Shut Down
- Boiler control
- Automatic Boiler Differential

Additional Features

- Variable speed pump control
- Quick setup for easy installation and programming of control
- User comfort adjustment to increase or decrease building space temperature
- Advanced settings to fine-tune building requirements
- Powered mixing system pump output
- Test sequence to ensure proper component operation
- Setback input for energy savings
- 120 V (ac) power supply
- CSA C US certified (approved to applicable UL standards)

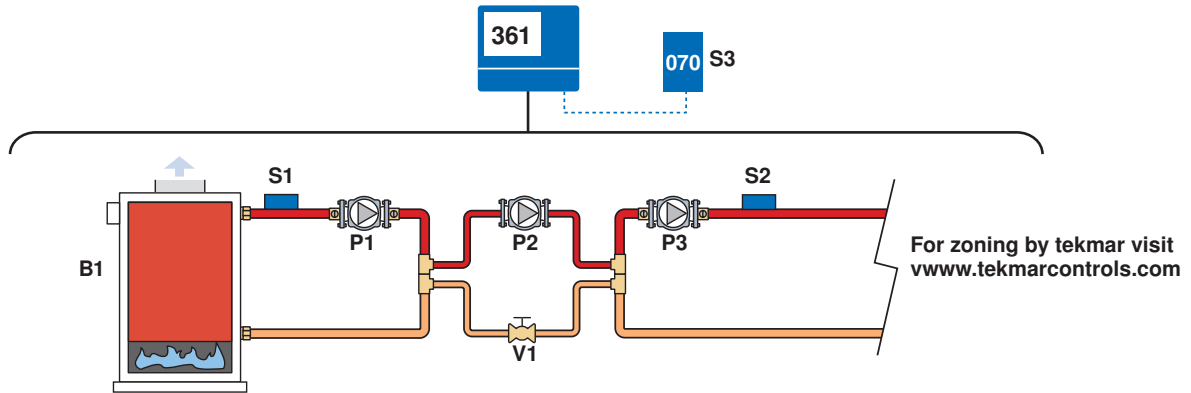
SPECIAL REQUIREMENTS

N / A

Sample Application Drawing

Below is a sample application drawing for this product. This application may include other tekmar products that are required for installation. More sample applications can be found at www.tekmarcontrols.com.

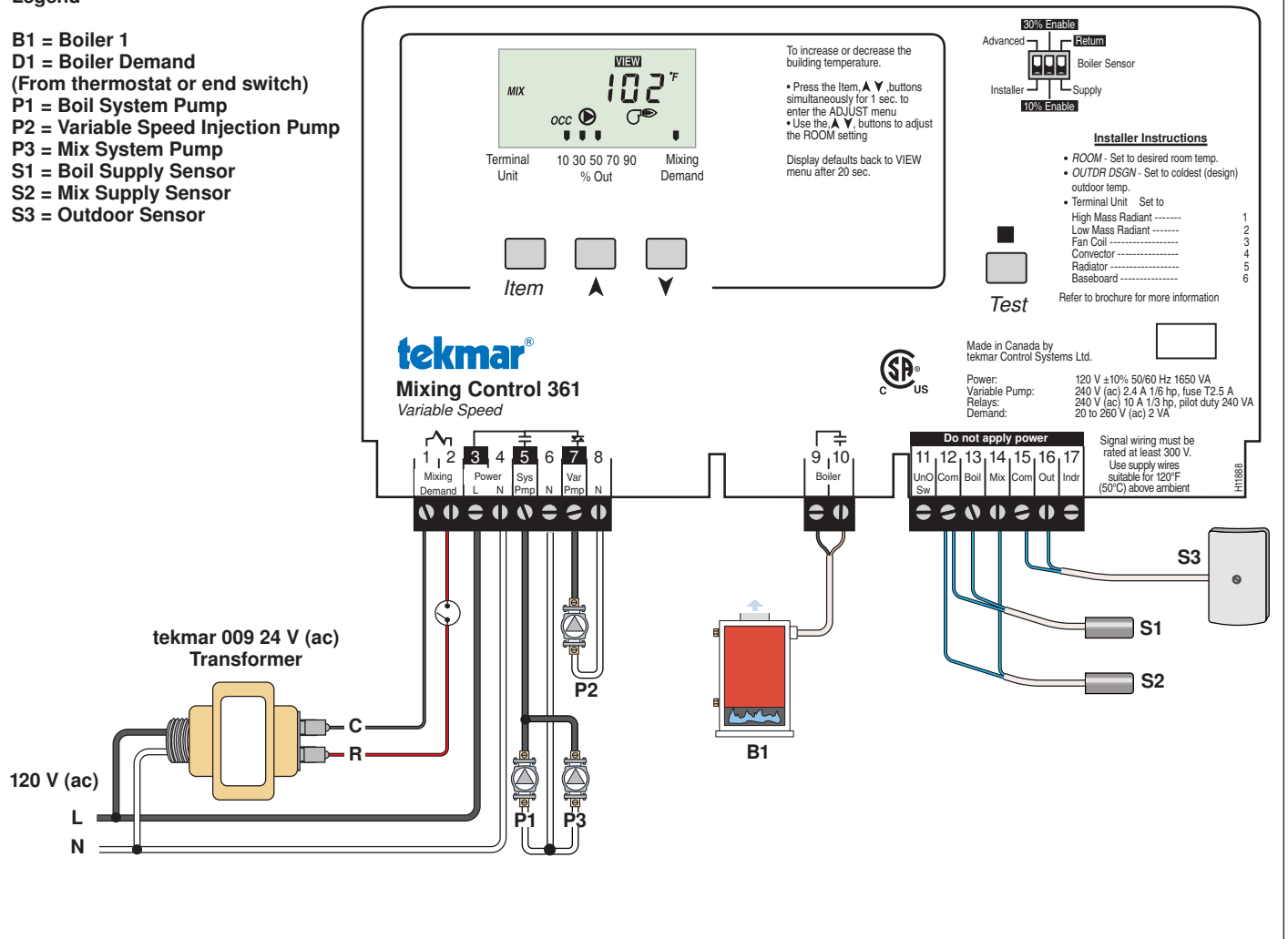
Sample Mechanical diagram



Sample Electrical diagram

Legend

- B1 = Boiler 1
- D1 = Boiler Demand
- (From thermostat or end switch)
- P1 = Boil System Pump
- P2 = Variable Speed Injection Pump
- P3 = Mix System Pump
- S1 = Boil Supply Sensor
- S2 = Mix Supply Sensor
- S3 = Outdoor Sensor



tekmar Control Systems Ltd., Canada, tekmar Control Systems, Inc., U.S.A. Head Office: 5100 Silver Star Road, Vernon, B.C. Canada V1B 3K4, 250-545-7749, Fax. 250-545-0650 Web Site: www.tekmarcontrols.com

