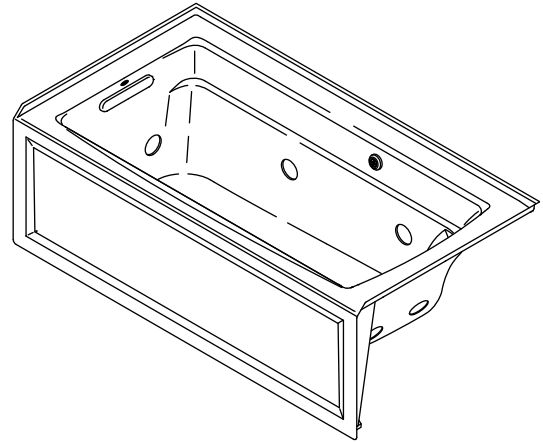


Features

- Acrylic
- Bask™ heated lumbar support with three temperature settings
- Slotted overflow for maximum bathing depth
- 8 fully adjustable color-matched hydro-massage jets
- Comfort Depth® design offers a 19" (483 mm) step-over height
- Molded lumbar support and armrests for comfort
- Textured bottom surface
- Integral apron with removable access panel
- 3-wall alcove installation with integral tile flange
- Left or right drain
- 60" (1524 mm) x 32" (813 mm) x 21-1/4" (514 mm)

5' BATH WHIRLPOOL WITH INTEGRAL APRON AND BASK™ K-1122-LAW ALSO K-1122-RAW

ADA



Codes/Standards Applicable

Specified model meets or exceeds the following:

- ADA
- ICC/ANSI A117.1
- CSA B45.5/IAPMO Z124
- ASTM E162
- ASTM E662
- ASME A112.19.7/CSA B45.10
- UL 1795

Colors/Finishes

- 0: White
- Other: Refer to Price Book for additional colors/finishes
- CP: Polished Chrome

Specified Model

Model	Description	Colors/Finishes	
K-1122-LAW	5' Bath whirlpool with integral apron and Bask – left drain (shown)	<input type="checkbox"/> 0	<input type="checkbox"/> Other_____
K-1122-RAW	5' Bath whirlpool with integral apron and Bask – right drain	<input type="checkbox"/> 0	<input type="checkbox"/> Other_____
Required Accessories			
K-7271	Clearflo slotted overflow brass bath drain OR	<input type="checkbox"/> CP	<input type="checkbox"/> Other_____
K-7272	Clearflo slotted overflow bath drain – PVC pipe	<input type="checkbox"/> CP	<input type="checkbox"/> Other_____

Product Specification

The acrylic bath whirlpool shall be 60" (1524 mm) in length, 32" (813 mm) in width, and 21-1/4" (514 mm) in height. Product shall feature Bask heated lumbar support with three temperature settings. Product shall have slotted overflow for maximum bathing depth, 8 fully adjustable color-matched hydro-massage jets, and textured bottom surface. Product shall feature Comfort Depth design, which offers a 19-inch step-over height. Product shall have molded lumbar support and armrests for comfort, and integral apron with removable access panel. Product shall be for 3-wall alcove installation with integral tile flange. Product shall have left or right drain. Bath whirlpool shall be Kohler Model K-1122-_____-_____.

ARCHER®

Technical Information

Fixture*:	
Bathing well:	
Basin area, bottom	45-1/8" (1146 mm) x 19-11/16" (500 mm)
Basin area, top	52-3/4" (1340 mm) x 25-5/16" (643 mm)
Weight	141 lbs (64 kg)
To overflow:	
Water depth	15" (381 mm)
Capacity	58 gal (219.5 L)
* Approximate measurements for comparison only.	

	V	Hz	A
1-speed pump	120	60	7
Heated surface	120	60	0.5

Required Electrical Service

Dedicated circuit required, protected with a Class A Ground-Fault Circuit-Interrupter (GFCI):	
Pump/Control/Heated surface	120 V, 15 A, 60 Hz

Installation Notes

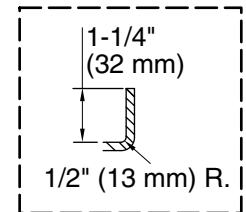
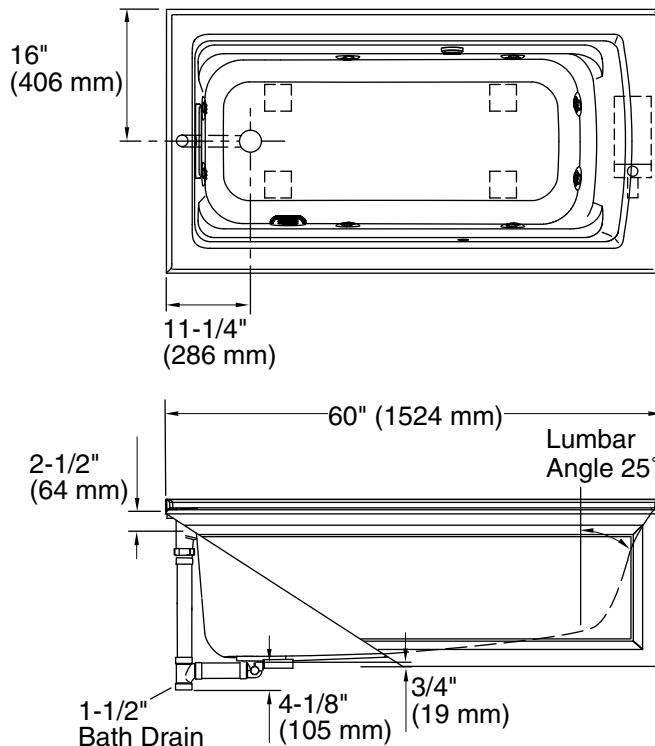
Install this product according to the installation guide.

Floor support under this product must provide for a minimum of 49 lbs/square foot (240 kg/square meter) loading.

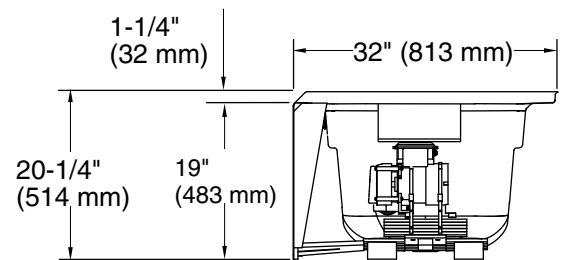
Locate a GFCI-protected 120 V, 15 A, grounded duplex electrical outlet within 24" (610 mm) of the bath junction box.

Will comply with **ADA** when installed per Section 607 Bathtubs of the ADA 2010 Standards for Accessible Design.

No change in measurements if connected with drain illustrated. (K-7272)



Integral Flange Detail



Product Diagram