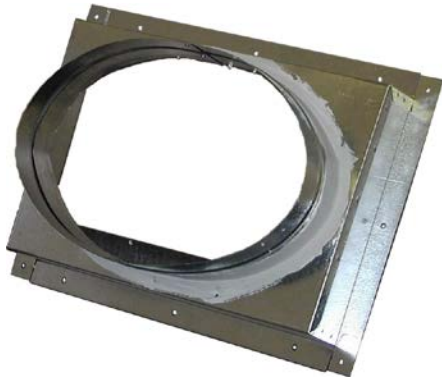


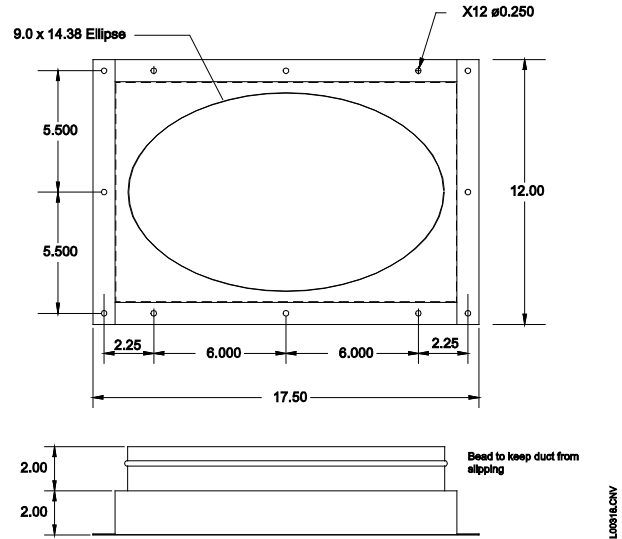
## Return Air Adapters

### M1218 Return Air Adapter

Part Number UPC-104-1218



UPC-104-1218 Return Air Adapter  
 (for all Model 1218 units)



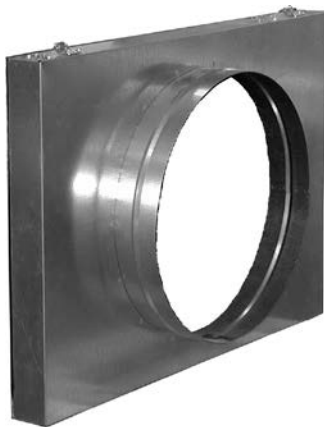
#### Packing List

- Package includes –
- 1 – Return Air Adapter, for 12-inch (305 mm) diameter flexible duct
  - 12 – sheet metal screws

To install the adapter, use the provided sheet metal screws (or any #10 sheet metal screw) to attach to return inlet of the air handling unit.

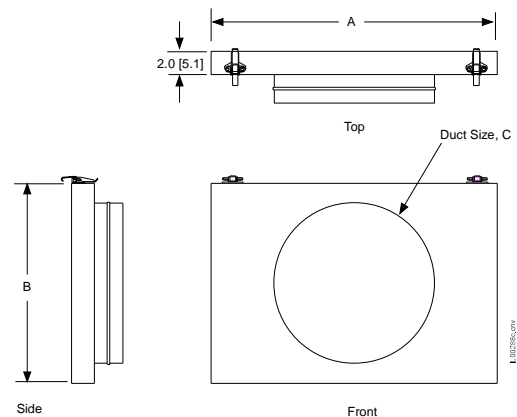
### Heating Module Return Air Adapter

Part Number UPC-104-2430/3036/3642/4860



UPC-104 Heating Module Return Air Adapter  
 (for Model 2430, 3036, 3642, 4860 units)

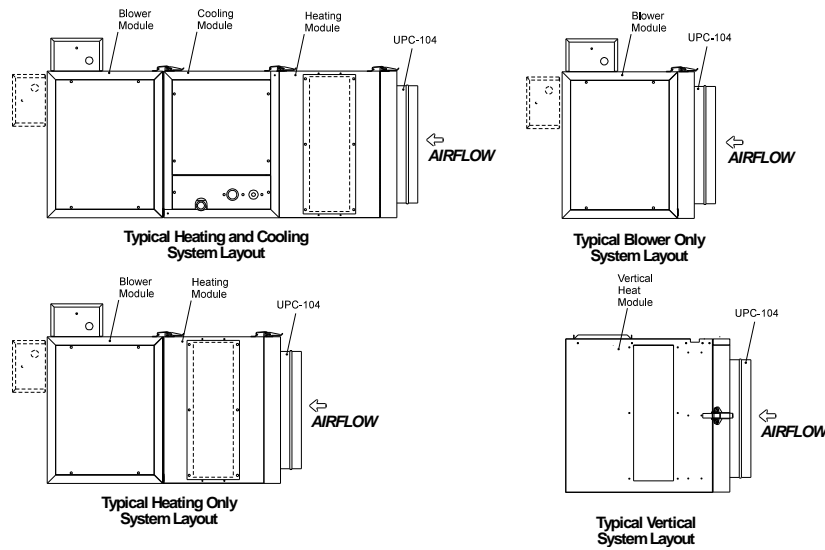
Model Number	UPC-104-2430	UPC-104-3036	UPC-104-3642	UPC-104-4860
A	25 (635)	30 (762)	38 (965)	38 (965)
B	17.5 (445)	17.5 (445)	17.5 (445)	17.5 (445)
C	14 (356)	16 (406)	18 (457)	20 (508)



#### Packing List

- Package includes:
- (1) – Return Air Adapter

The *Heating Module* Return Air Adapter fits easily to the Heating Module or Blower Module (for Blower-only systems). Refer to Figure 1 for typical configurations.



Typical Configurations with Heating Module Return Adapter

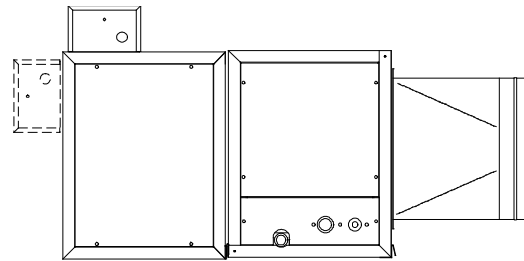
**Cooling Module Return Air Adapter**  
**Part Number UPC-59-2430/3036/3642/4860**



UPC-59 Cooling Module Return Air Adapter  
 (for Model 2430, 3036, 3642, 4860 units)

**Packing List**

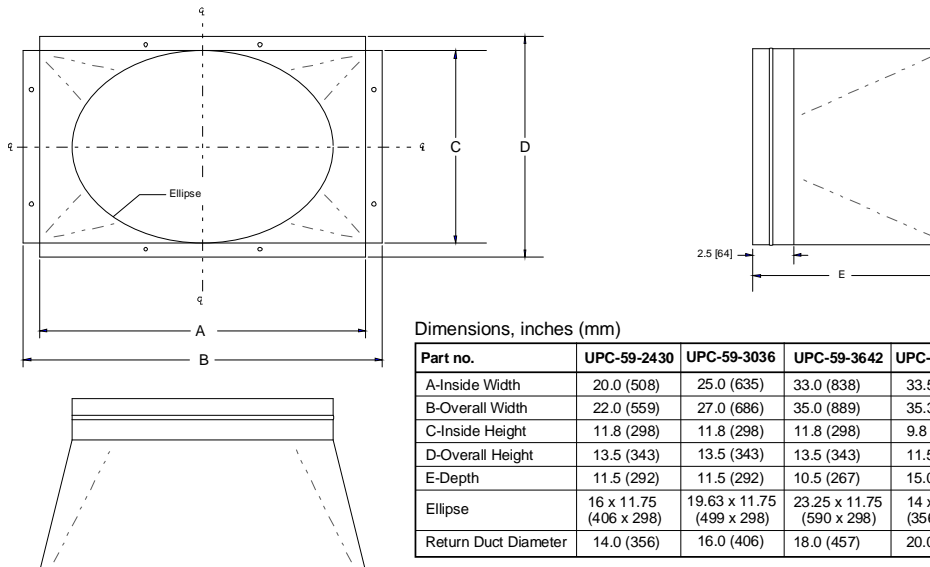
- Package includes:  
 1-Return Air Adapter  
 1- Insulation Wrap



IL00820.CNV

**Typical Horizontal Modular System**

The Cooling Module Return Air Adapter fits easily to the Cooling Modules. It is used primarily for cooling-only or heat-pump horizontal configurations.



Dimensions, inches (mm)

Part no.	UPC-59-2430	UPC-59-3036	UPC-59-3642	UPC-59-4860
A-Inside Width	20.0 (508)	25.0 (635)	33.0 (838)	33.5 (853)
B-Overall Width	22.0 (559)	27.0 (686)	35.0 (889)	35.3 (898)
C-Inside Height	11.8 (298)	11.8 (298)	11.8 (298)	9.8 (248)
D-Overall Height	13.5 (343)	13.5 (343)	13.5 (343)	11.5 (292)
E-Depth	11.5 (292)	11.5 (292)	10.5 (267)	15.0 (381)
Ellipse	16 x 11.75 (406 x 298)	19.63 x 11.75 (499 x 298)	23.25 x 11.75 (590 x 298)	14 x 24.86 (356 x 631)
Return Duct Diameter	14.0 (356)	16.0 (406)	18.0 (457)	20.0 (508)

IL00819B.CNV