

**There is more than 1 version of this model.
Page down to identify the version you have.**

PRODUCT DESCRIPTION

- Sensor activated exposed water closet flushometer with brass angle stop valve
- Brass construction with chrome plated finish
- Chloramine resistant seals
- 1" IPS inlet supply
- 1-1/2" top spud
- High back pressure vacuum breaker
- All flush valves are intended for use with compatible flush volume fixtures as specified by the fixture manufacturer. WaterSense® labeled flush valves should be used with a WaterSense® labeled fixture that has a compatible flush volume to ensure complete system performance.

OPERATION

- Self-cleaning Accuset™ piston flush technology
- Mechanical override
- Adjustable infrared sensor range from 17" to 36"
- Optional 24 hour Sentinel Flush (factory setting is off)
- Operating Pressure Range: 20-125psi
- Compatible with 104630 transformer, powers up to 8 flush valves
- Vandal resistant angle stop and double o-ring connections


FLOW RATE

- **8310AC16** (1.6gpf/6.0Lpf)
- **8310ACDF16** (1.0/1.6gpf 3.8/6.0Lpf) – 1.0gpf up to 60 seconds/1.6gpf after 60 seconds
- **8311AC12** (1.28gpf/4.8Lpf) – **WaterSense® certified**

STOP VALVE

- All metal 1" IPS vandal resistant angle stop with double o-ring connection
- Adjustable installation (left or right connection)

STANDARDS

- Third party certified to meet: ASSE1037 / ASME A112.1037 / CSA125.37, ASME A112.19.2 / CSA B45.1 and all applicable requirements referenced therein
- BAA
- ADA 

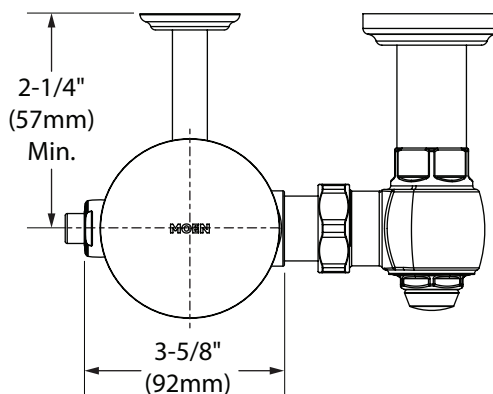
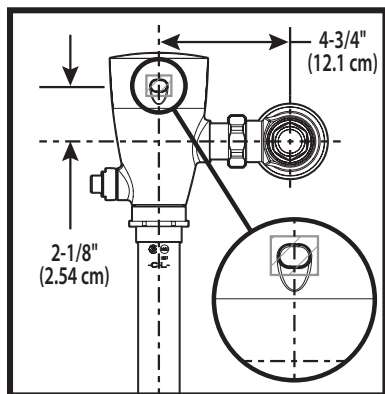
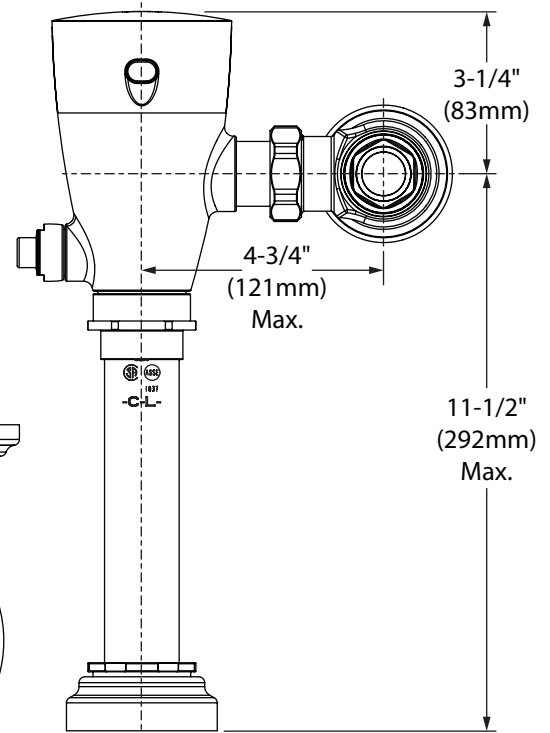
WARRANTY

- Warranted for 5 years against material or manufacturing defects



M•POWER™ 1-1/2" AC Powered Sensor Exposed Style Closet Flush Valve

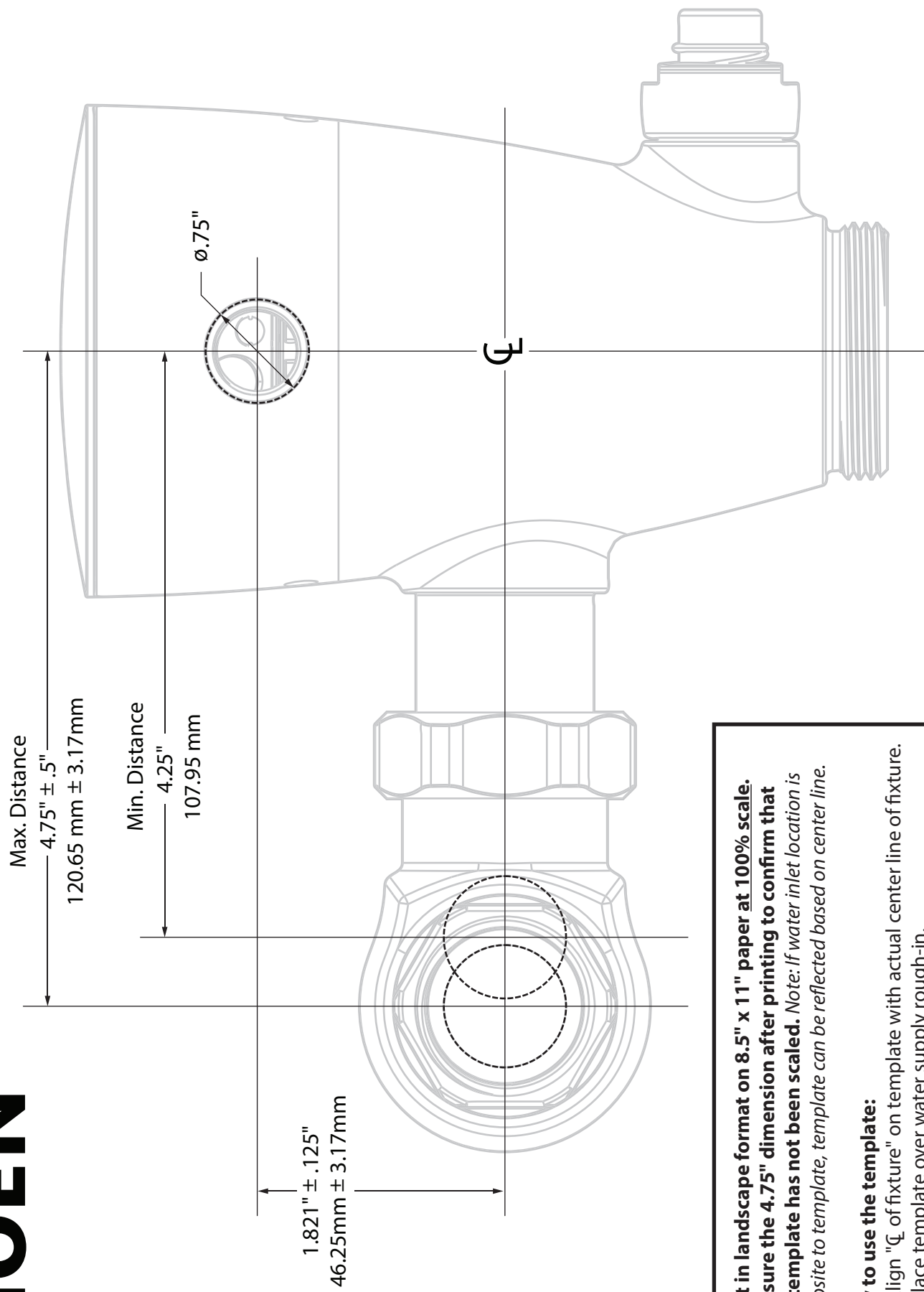
**Models: 8310AC16, 8310ACDF16,
8311AC12**



CRITICAL DIMENSIONS

(DO NOT SCALE)

MOEN®



Print in landscape format on 8.5" x 11" paper at 100% scale. Measure the 4.75" dimension after printing to confirm that the template has not been scaled. Note: If water inlet location is opposite to template, template can be reflected based on center line.

How to use the template:

1. Align "⌒ of fixture" on template with actual center line of fixture.
2. Place template over water supply rough-in.
3. Cut out water and power supply openings (dotted lines).

PRODUCT DESCRIPTION

- Brass construction w/chrome plated finish
- 1" IPS supply
- 1-1/2" top spud
- 6" cable tube
- 18 guage x 24" (+) (-) wire leads
- Optional power adapters
- Single AC transformer (12v) #104406
- Multi-unit AC transformer (power up to 8 units) #104401
- All flush valves are intended for use with compatible flush volume fixtures as specified by the fixture manufacturer. WaterSense® labeled flush valves should be used with a WaterSense® labeled fixture that has a compatible flush volume to ensure complete system performance.

OPERATION

- Adjustable sensor eyes
- Low consumption AC powered (12 Volt transformer required)
- Self-diagnostic electronics
- Piston flushing mechanism
- Self cleaning filter system


FLOW

- **8310AC16** (1.6gpf/6.0Lpf)
- **8310ACDF16** (1.0/1.6gpf 3.8/6.0Lpf) – 1.0gpf up to 60 seconds/1.6gpf after 60 seconds
- **8311AC12** (1.28gpf/4.8Lpf) – **WaterSense® certified**
- 1.6 gpf (gallons per flush)
- 24 hour sentinel flush
- Manual override button

STOP VALVE

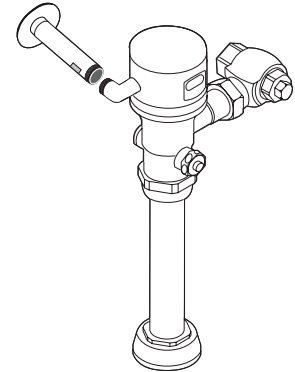
- 1" IPS angle stop (vandal resistant)
- Adjustable installation (left or right connection)

STANDARDS

- Third party certified by IAPMO and CSA to meet ASME A112.19.2M and all applicable requirements referenced therein and complies with requirements of ASSE 1037
- ADA 

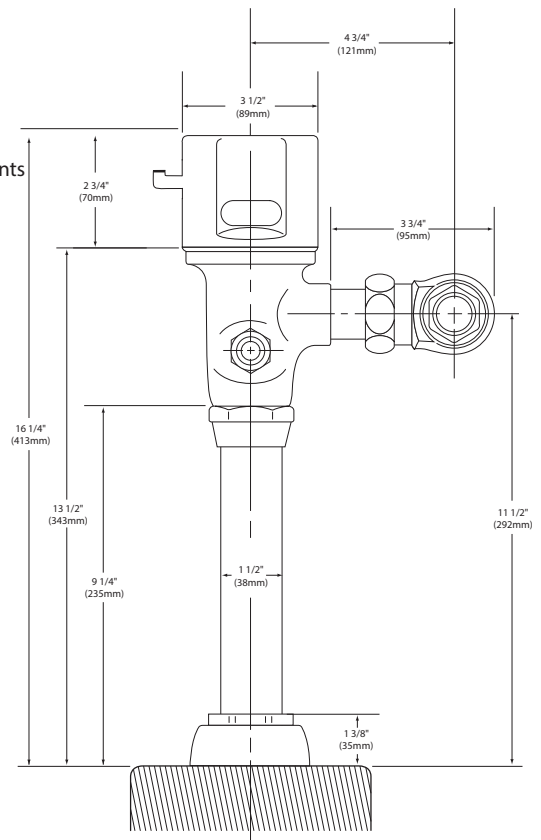
WARRANTY

- Warranted for 5 years against material or manufacturing defects



1-1/2" AC Powered Sensor Exposed Style Closet Flush Valve

Models: 8310AC16, 8310ACDF16,
8311AC12



CRITICAL DIMENSIONS

(DO NOT SCALE)