

# Ox Box™

## Outlet Box

Patent #7,360,553 & #7,735,511

- **Strong:** Over the stud application offers the industry's strongest installation
- **Fast:** Installation times are cut in half
- **Flexible:** Separate boxes offer endless configuration options
- **Durable:** ABS material stands up to job site abuse
- **Approvals:**
  - Standard packaged Ox Box™ kits are UPC listed.
  - Fire-Rated Ox Box kits are Warnock Hersey Certified.
  - Valves comply with ASME A112.18.1

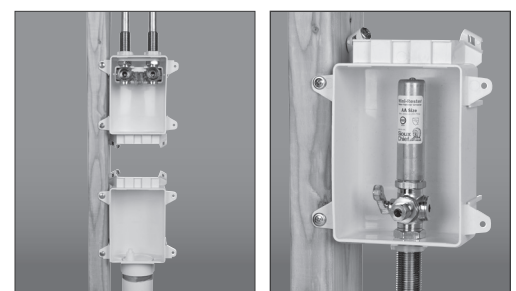
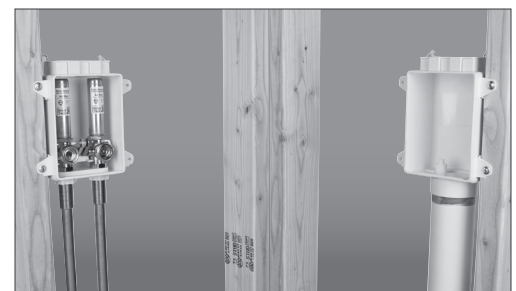
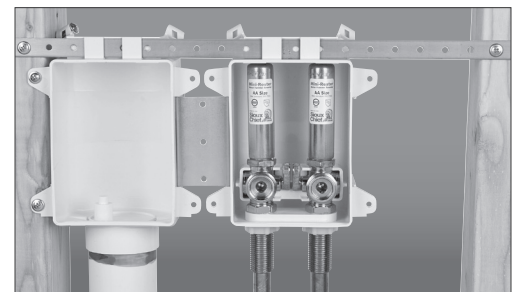
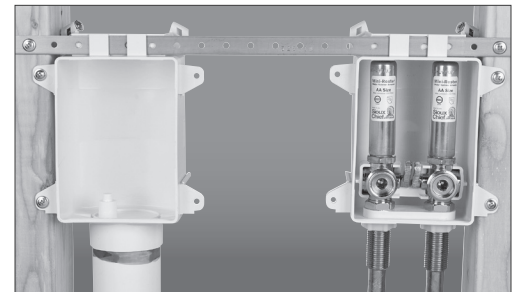
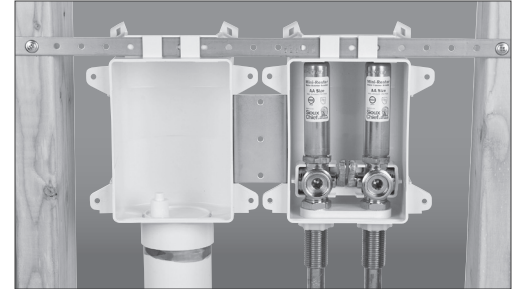
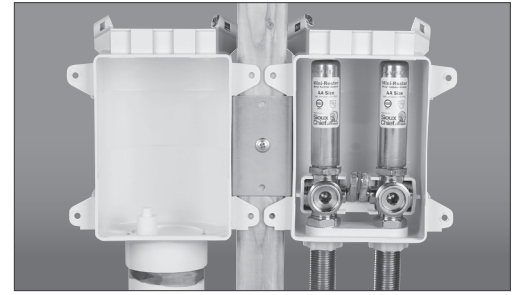


### Build Item Numbers

- Items not listed within this catalog can be custom built with a minimum order of 30 units

<b>696</b>	<b>-</b>	<b>2</b>	<b>3</b>	<b>1</b>	<b>3</b>	<b>X</b>	<b>F</b>		
Series	A	B	C	D	E	F	G	H	

- |   |  |
|---|--|
| <p><b>A Special Standards</b></p> <ul style="list-style-type: none"> <li>- Standard product</li> <li><b>R</b> Fire-rated package with intumescent pads and fire-rated frame</li> <li>-<b>G</b> Supplied valves are no lead alloy 693 with low zinc</li> <li><b>RG</b> Supplied valves are no lead alloy 693 with low zinc and packaged with intumescent pad and fire-rated frame</li> </ul> <p><b>B Supply Box Options</b></p> <ul style="list-style-type: none"> <li><b>1</b> Single-hole Ox Box</li> <li><b>2</b> Double-hole Ox Box</li> </ul> <p><b>C Drain Box Options</b></p> <ul style="list-style-type: none"> <li><b>0</b> No drain box included</li> <li><b>3</b> Drain box included</li> <li><b>4</b> Supply box with drain</li> </ul> <p><b>D Valve and Arrester Options</b></p> <ul style="list-style-type: none"> <li><b>0</b> No water hammer arresters on valves</li> <li><b>1</b> Water hammer arresters on valves</li> <li><b>2</b> Accessible, integral, secondary stop on valves</li> </ul> | <p><b>E Outlet Options</b></p> <ul style="list-style-type: none"> <li><b>0</b> 1/4" compression connection</li> <li><b>1</b> 3/8" compression connection</li> <li><b>3</b> 3/4" male hose thread connection</li> </ul> <p><b>F Inlet Options</b></p> <ul style="list-style-type: none"> <li><b>A</b> 1/2" F2080 PEX</li> <li><b>C</b> 1/2" male CPVC</li> <li><b>M</b> 1/2" female sweat</li> <li><b>V</b> 1/2" Viega® PEX Press®</li> <li><b>W</b> 1/2" F1960 PEX</li> <li><b>X</b> 1/2" F1807 PEX</li> </ul> <p><b>G Frame Options</b></p> <ul style="list-style-type: none"> <li><b>F</b> Frames included</li> <li><b>R</b> Rough-in package, frames sold separately</li> </ul> <p><b>H Extra Options</b></p> <ul style="list-style-type: none"> <li>— None</li> <li><b>26</b> Includes 26" galvanized support bracket</li> <li><b>S</b> Includes 72"-long, 1/4" stainless steel hose</li> <li><b>PK4</b> Retail box</li> </ul> |
|---|--|



SUPPLY

DRAINAGE

SUPPORT

APPENDIX

**Ox Box™**

Washing Machine Outlet Box

Patent #7,360,553 & #7,735,511

- Boxes mount securely to stud or over studs
- Separates supply and drainage systems into two stud bays
- Separate boxes offer flexible layout
- Durable ABS stands up to job site abuse
- Drain knockout is easy to remove with pliers
- Debris covers included to protect boxes from drywall mud and paint
- High-quality quarter-turn ball valves
- 3/4" male hose-thread outlet connections



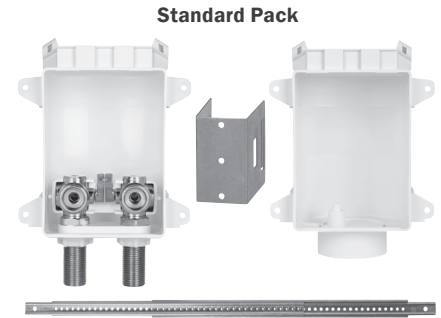
The debris cover protects valves from drywall mud and paint during construction.

**Related Products**

Frames for Rough-in Packs

p 254

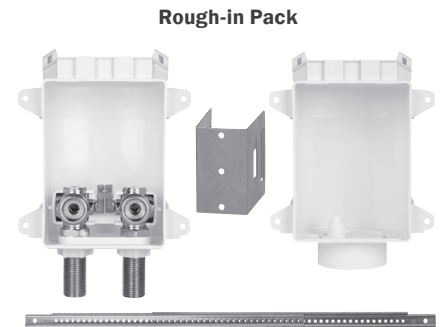
Item No	Shank Connection	<b>NO LEAD</b>	Pkg	Min Qty	Case Qty
<b>STANDARD PACK</b>					
696-2303MF	1/2" female sweat		B*	10	10
696-2303CF	1/2" CPVC male		B*	10	10
696-2303XF	1/2" PEX F1807		B*	10	10
696-2303WF	1/2" PEX F1960		B*	10	10
696-2303AF	1/2" PEX F2080		B*	10	10
696-2303VF	1/2" Viega PEX Press		B*	10	10
696-G2303MF	1/2" female sweat, no lead	✓	B*	10	10
696-G2303CF	1/2" CPVC male, no lead	✓	B*	10	10
696-G2303XF	1/2" PEX F1807, no lead	✓	B*	10	10
696-G2303WF	1/2" PEX F1960, no lead	✓	B*	10	10
<b>ROUGH-IN PACK</b>					
696-2303MR	1/2" female sweat		B*	10	10
696-2303CR	1/2" CPVC male		B*	10	10
696-2303XR	1/2" PEX F1807		B*	10	10
696-2303WR	1/2" PEX F1960		B*	10	10
696-2303AR	1/2" PEX F2080		B*	10	10
<b>STANDARD PACK BAR-CODED IN DISPLAY BOX</b>					
696-2303MFPK4	1/2" female sweat		B*	4	4
696-2303CFPK4	1/2" CPVC male		B*	4	4
696-2303XFPK4	1/2" PEX F1807		B*	4	4
696-G2303MFPK4	1/2" female sweat, no lead	✓	B*	4	4
696-G2303CFPK4	1/2" CPVC male, no lead	✓	B*	4	4
696-G2303XFPK4	1/2" PEX F1807, no lead	✓	B*	4	4
<b>INTEGRAL SECONDARY STOP VALVES STANDARD PACK</b>					
696-2323MF	1/2" female sweat		B*	10	10



Standard Pack



696-2303MF



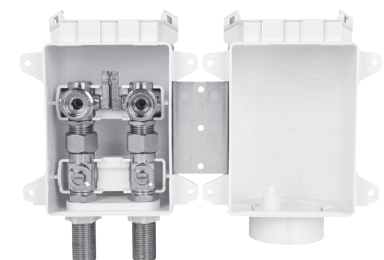
Rough-in Pack

Order frames 696-2303MR separately.

**Display Box**



696-2303MFPK4



696-2323MF

