

### Features

- Katalyst® air-induction technology maximizes the air/water mix for a powerful, even flow.
- 1 gallons (3.8 L) per minute flow rate at 80 psi (552.6 kPA).
- MasterClean™ sprayface with grey nozzles is easy to clean.

### Installation

- 1/2" NPT connection.



### Codes/Standards


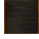

ASME A112.18.1/CSA B125.1  
DOE - Energy Policy Act 1992  
California Energy Commission (CEC)

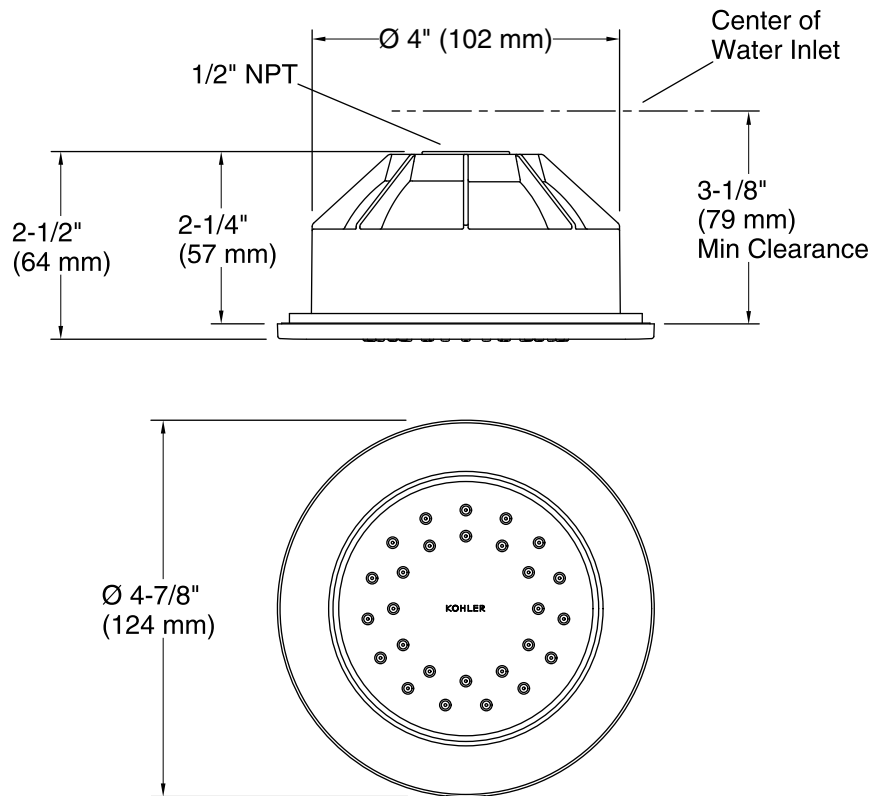
### KOHLER® Faucet Lifetime Limited Warranty

See website for detailed warranty information.

### Available Colors/Finishes

*Color tiles intended for reference only.*

Color	Code	Description
	CP	Polished Chrome
	SN	Vibrant® Polished Nickel
	BN	Vibrant® Brushed Nickel
	2BZ	Oil-Rubbed Bronze
	BL	Matte Black
	TT	Titanium



### Technical Information

All product dimensions are nominal.

#### Showerhead/Body Spray:

Rated maximum flow: 1 gal/min (3.8 l/min)

Pressure: 45 psi (3.1 bar)

### Notes

For use with automatic compensating valves rated at 1.6 gal/min (6.1 l/min) or less.

Install this product according to the installation instructions.

Caution: Risk of personal injury. To prevent water temperature fluctuation and possible scalding, use two or more 1.0 gpm body sprays to maintain valve stability.