

GAS OUTLET BOX

696 SERIES

OxBox™

SPECIFICATION

Sioux Chief 696R-series OxBox™ Fire-rated gas outlet box shall be used where necessary in plumbing and gas supply systems for residential or commercial units. Box shall allow for mounting with supply line from top or bottom, on-stud or between studs. Unit shall be available with yellow handle. Valve shall be available with or without brass shank. Metal support bracket shall install into top track of box for between stud configuration. Outlet shall be 1/2" or 3/4." Valve shall be 1/4-turn operation.

MATERIALS

- Outlet box:** ABS
- Frame:** Fire-rated ABS
- Frame extensions:** **Fire-rated ABS
- Bracket:** galvanized steel
- Valve body:** cast brass
- Valve handle:** powder-coated yellow zinc
- Screw:** chrome steel
- Shank:** zinc
- Adapter*:** brass
- Plug:** steel
- Components:** PTFE seats and chrome-plated brass ball

*Available in 1/2" and 3/4"

**696 Ex available separately. Used with two layers of drywall for 2-Hour specifications.

VALVE RATING

Max working pressure: 1/2 PSIG

Max testing pressure: 10 PSI

GAS/GAS MIXES

- natural gas
- propane

CERTIFICATIONS/APPROVALS

- ANSI Z21.15
- CSA

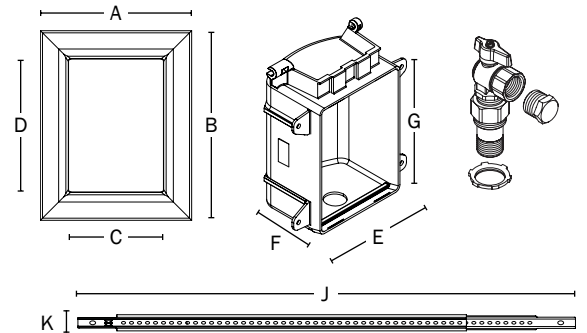
DIMENSIONS

- A:** Frame width 5 3/4"
- B:** Frame height 7 1/4"
- C:** Frame opening width 3 5/8"
- D:** Frame opening height 5 1/8"
- E:** Rough-in box inner width 4"
- F:** Rough-in box overall depth 3 1/2"
- G:** Rough-in box inner height 5 1/2"
- H:** Supply connection (see 'A' and 'B' below)
- I:** Outlet connection (see 'A' below)
- J:** Bracket length 18"
- K:** Bracket width 5/8"

ITEM # SUBMITTED	_____
JOB NAME	_____
LOCATION	_____
ENGINEER	_____
CONTRACTOR	_____
PO#	_____ TAG _____



696-1011MF



Create Item Number

696R10ABGF

e.g. 696R1020GF: Fire-Rated Gas OxBox with 1/2" FIP outlet & inlet

VALVE CONNECTION A

2 = 1/2" FIP outlet x 1/2" inlet

3 = 3/4" FIP outlet x 3/4" inlet

ADAPTER B

0 = none

1 = female x male NPT adapter

FIRE-RATED OXBOX

DESIGN SPECIFICATION

1 WALL CONSTRUCTION

- a Wood or metal stud construction, max 100 in.² of penetrations per 100 ft² of wall
- b Single-layer 5/8" gypsum construction with 1-hour fire rating
- c Double-layer 5/8" gypsum construction with 2-hour fire rating
- d Boxes cannot be installed back to back

2 PIPE/BOX SUPPORT

- a Each outlet box must be installed in a separate stud bay and attached to the stud, as shown below in "over-stud" or "separate stud bay" installation examples. Fire rating does not apply to installations of two or more boxes in the same stud bay.
- b Supplied support bar to be installed through at least one box's slotted opening
- c Supply lines to be installed using ordinary methods
- d Drain line to be supported using ordinary methods

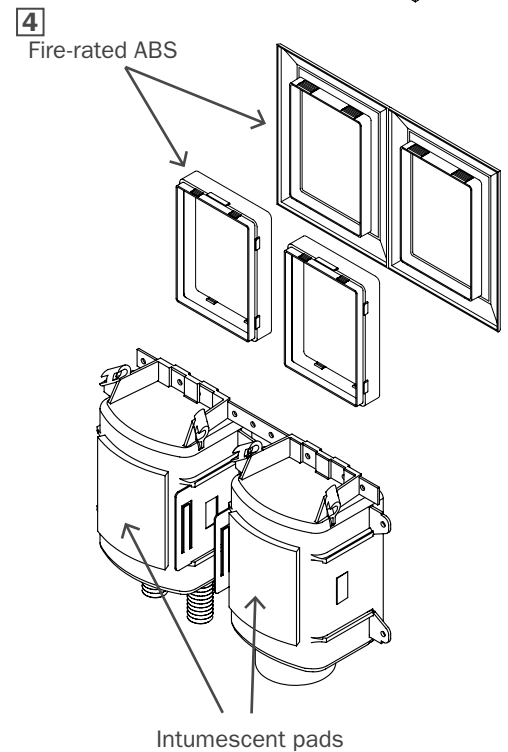
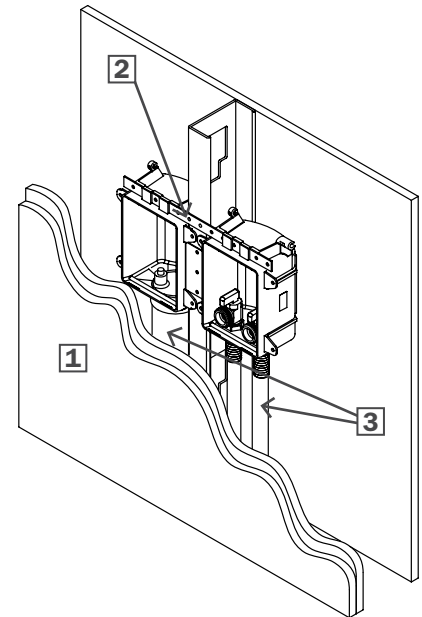
3 PIPE MATERIAL

- a 2" or larger metallic, PVC, or ABS DWV pipe
- b Metallic or plastic water supply pipe

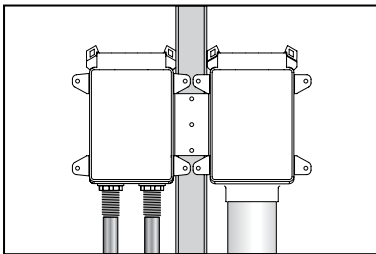
4 FIRESTOP DEVICE

Sioux Chief fire-rated OxBox frame and frame extension are constructed using fire-rated resin. Boxes have 4" x 4" intumescent adhesive pads factory installed on the back of boxes.

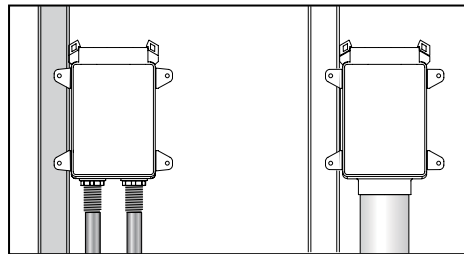
NOTE: Gaps up to 1/2" around box can be sealed with drywall plaster. Larger gaps require firestop sealant applied to opening spanning entire drywall depth



"over stud" installation



"separate stud bay" installation



THE FIRE-RATED OXBOX IS CERTIFIED BY INTERTEK/WARNOCK HERSEY TO THE FOLLOWING FIRE RATING STANDARDS:

ASTM E-814

2 hours (F), 1½" hours (T)
for 2-hour design
1 hour (F), 31 mins (T)
for 1-hour design

ASTM E119

ASTM E-814

2 hours (F), 1½" hours (T)
for 2-hour design
1 hour (F), 31 mins (T)
for 1-hour design

ASTM E119



Intumescent pads