

Features

- Blowout flush action.
- 3/4" top spud.
- Uses 0.5 to 1.0 gallons per flush.

Material

- Vitreous china.

Installation

- Note: If urinal is being purchased as a retrofit for K-4972, a 3/4" valve tailpiece is also required, existing 1-1/4" valve tailpiece is not compatible.
- Replaces Stanwell™ K-4972-ET.

Optional Products/Accessories

1363456 Retrofit Flushometer Tailpiece, 3/4"

Included Components

Additional Components:

- 2" outlet spud (Qty 2)
- 3/4" inlet spud (Qty 2)
- 5/8" Drain Plug (Qty 2)
- Hanger(s) (Qty 2)



ADA

OBC

Codes/Standards





ASME A112.19.2/CSA B45.1
DOE - Energy Policy Act 1992
EPA WaterSense®
ADA
ICC/ANSI A117.1
OBC

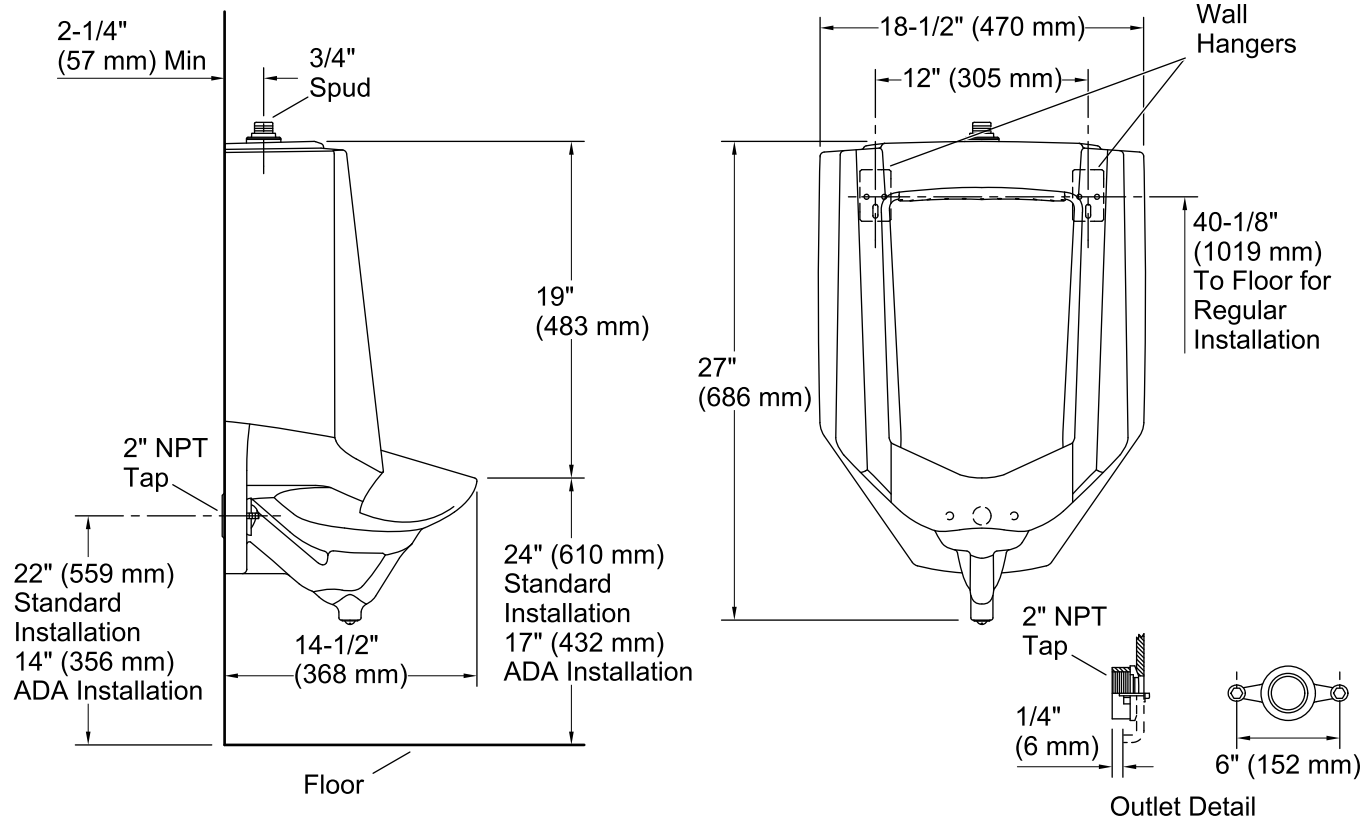
KOHLER® One-Year Limited Warranty

See website for detailed warranty information.

Available Colors/Finishes

Color tiles intended for reference only.

Color	Code	Description
	0	White
	96	Biscuit
	47	Almond
	7	Black Black™



Technical Information

All product dimensions are nominal.

Flush outlet technology:

Blow-out

Spud size: 3/4", Inlet, Top

Min. Water per Flush: 0.5 gal (1.9 L)

Max. Water per Flush: 1 gal (3.8 L)

Designed for the above water use when installed with a water-saving flushometer.

Pressure and Supply Requirements

Fixture pressure min 25 psi (172.4 kPa)
(static):

Fixture pressure max 80 psi (551.6 kPa)
(static):

Notes

Install this product according to the installation instructions.

Refer to manufacturer's instructions and local codes for flushometer requirements.

ADA, OBC compliant when installed to the specific requirements of these regulations.