

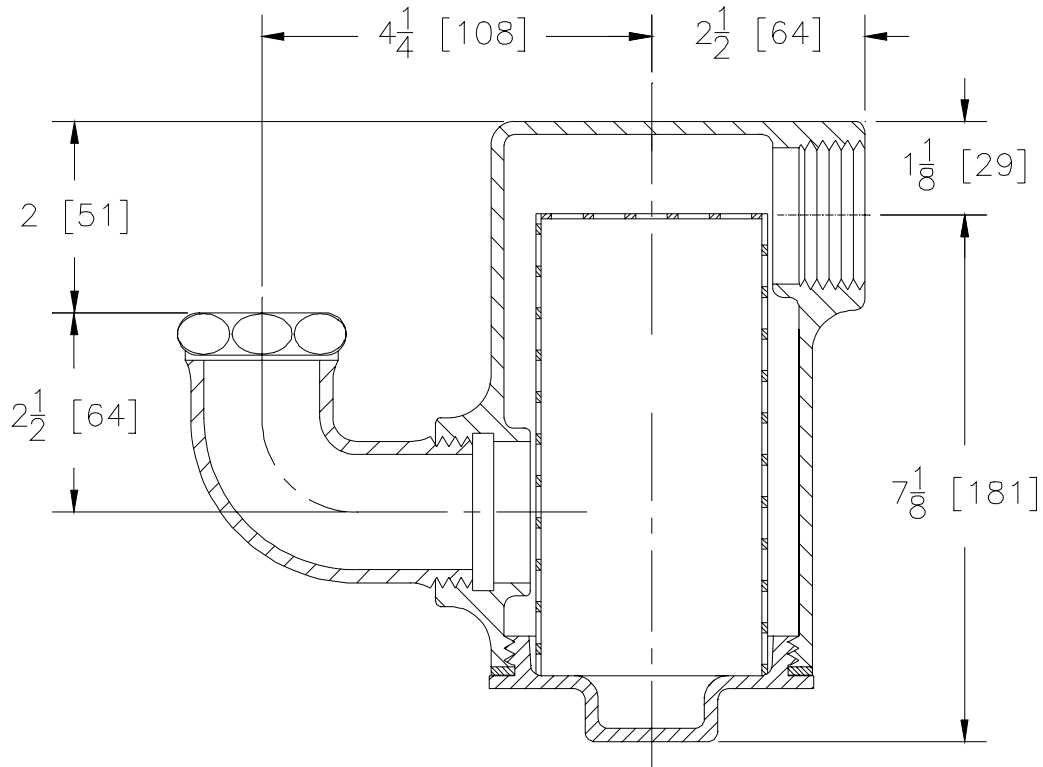


Z1175 HAIR INTERCEPTOR

SPECIFICATION SHEET

TAG _____

Dimensional Data (inches and [mm]) are Subject to Manufacturing Tolerances and Change Without Notice



Inlet/Outlet Inches	Approx. Wt. Lbs.
1-1/2 [38]	8 [4]

ENGINEERING SPECIFICATION: ZURN Z1175

Dura-Coated cast iron hair and solids interceptor, in lieu of fixture 'P' trap, with 1-1/2 [38] slip joint elbow inlet and 1-1/2 [38] threaded side outlet, perforated stainless steel basket removable from bottom, with flanged and gasketed cleanout cover with raised hex head. Perforation size is 1/8[3].

OPTIONS (Check/specify appropriate options)

PREFIXES

- ___ Z D.C.C.I.*
- ___ ZAB All Satin Finish

SUFFIXES

- ___ -CP Chrome Plated Finish Interior and Exterior (ZAB Only)
- ___ -YR Replacement Stainless Steel Basket

REV. E	DATE: 10/22/10	C.N. NO. 111963
DWG. NO. 58910	PRODUCT NO. Z1175	

*REGULARLY FURNISHED UNLESS OTHERWISE SPECIFIED