

# Lead-Free Bronze Ball Valves

**Features:** Silicon Performance Bronze® Alloy • Two-Piece Body • Full Port • Blowout-Proof Stem • Stainless Trim • Vented Ball

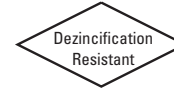
**Approvals:** MSS SP-110/145 • IAPMO/ANSI Z1157 • NSF/ANSI 61/372-8 Commercial Hot 180°F

**Size range:** ¼" - 3"

**Pressure rating:** 600 PSI non-shock cold working pressure

**Maximum pressure / temperature:** 100 PSI at 300° F

Lead-free markings: Double oval in body casting, white handle and blue hang tag



## MATERIAL LIST

PART	SPECIFICATION
1. Handle Nut	Zinc Plated Steel
2. Stem	Stainless Steel ASTM A276 Type 316
3. Pack Gland	Brass ASTM B16 Alloy C36000
4. Packing, Stem	Virgin PTFE
5. Washer, Thrust	Reinforced PTFE
6. Handle	Zinc Plated Steel Clear Chromate Plastisol Coated
7. End Piece	Silicon Bronze ASTM B584 Alloy C87600
8. Seat Ring (2)	Reinforced PTFE
9. Ball (Vented)	Stainless Steel ASTM A276 Type 316
10. Body	Silicon Bronze ASTM B584 Alloy C87600

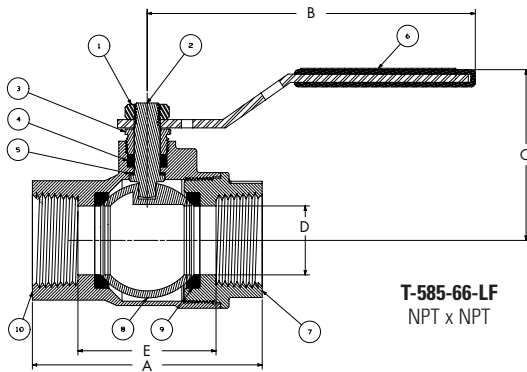


**T-585-66-LF**

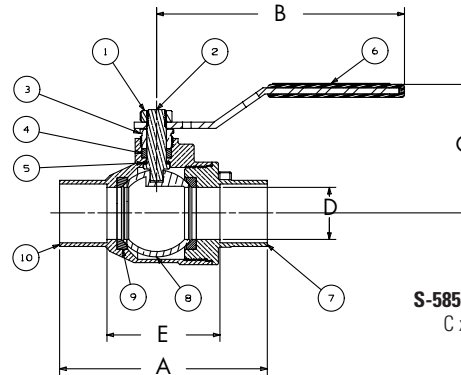
Threaded

**S-585-66-LF**

Solder



**T-585-66-LF**  
NPT x NPT

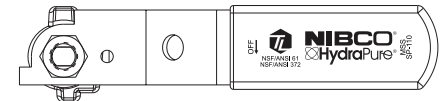


**S-585-66-LF**  
C x C

## DIMENSIONS—WEIGHTS—QUANTITIES

### Dimensions

SIZE	T-585-66-LF		S-585-66-LF		T-585-66-LF		S-585-66-LF		T-585-66-LF		S-585-66-LF		Master Ctn. Qty.
	A	A	B	C	D	E	E	E	E	E	E		
In. mm.	In. mm.	In. mm.	In. mm.	In. mm.	In. mm.	In. mm.	In. mm.	In. mm.	In. mm.	In. mm.	In. mm.	Lbs. Kg.	Lbs. Kg.
¼ 8	1.78 45	1.83 46	3.96 101	1.86 47	0.31 8	1.00 25	1.21 31	0.43 0.19	0.40 0.18	24			
⅜ 10	1.79 45	1.97 50	3.96 101	1.85 47	0.38 10	1.80 46	1.21 31	0.44 0.20	0.41 0.19	24			
½ 15	2.23 57	2.4 61	3.96 101	1.96 50	0.5 13	1.16 29	1.40 36	0.65 0.30	0.56 0.25	80			
¾ 20	2.78 71	3.16 80	4.76 121	2.28 58	0.75 19	1.68 43	1.66 42	1.20 0.55	1.02 0.46	60			
1 25	3.34 85	3.99 101	4.76 121	2.48 63	1 25	2.00 51	2.17 55	1.63 0.74	1.50 0.68	40			
1¼ 32	3.75 95	4.13 105	6.75 171	3.10 79	1.25 32	2.39 61	2.19 56	2.87 1.30	2.41 1.09	20			
1½ 40	4.26 108	4.97 126	6.75 171	3.32 84	1.5 38	2.89 73	2.79 71	3.83 1.74	3.62 1.64	10			
2 65	4.80 122	6.02 153	6.75 171	3.56 90	2 51	3.40 86	3.34 85	5.57 2.53	5.54 2.51	6			
2½ 65	6.00 152	7.21 183	8.06 205	4.40 112	2.50 64	4.12 105	4.27 108	13.70 6.21	12.80 5.80	2			
3 76	6.5 165	8 202	8.06 205	4.65 118	2.95 75	4.46 113	4.62 117	14.30 6.49	12.50 5.67	2			



Handle Markings

### Handle Options:

- Stainless Steel Lever
- NIB-Seal®
- NIB-Seal® Locking Lever
- Locking Lever
- Stainless Steel Locking Lever
- Memory Stop
- Extended Lever w/ Memory Stop
- Round
- Wing
- Horizontal and Vertical Chain

**WARNING:** This product can expose you to chemicals including lead, which is known to the State of California to cause cancer and birth defects or other reproductive harm. For more information go to [www.P65Warnings.ca.gov](http://www.P65Warnings.ca.gov).

LEAD-FREE: Weighted average lead content ≤ 0.25%