

Single-zone Pump Relay

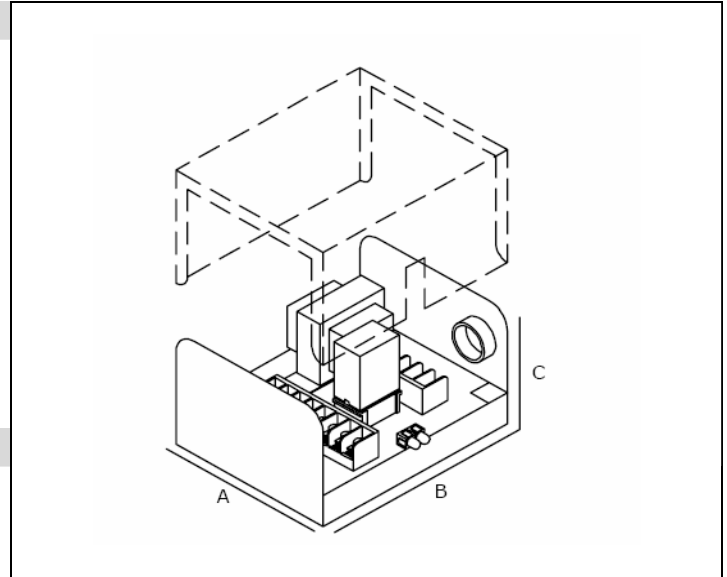
Submittal Information
Revision A: May 15, 2008

Project Information

Job Name:	
Location:	Part No. Ordered:
Engineer:	Date Submitted:
Contractor:	Submitted By:
Manufacturer's Representative:	Approved By:

Technical Data

Transformer:	120VAC input, 24VAC (10VA rating)
Maximum Combined Load:	7.2 A
Ambient Conditions:	Indoor use only, 32°F (0°C) to 122°F (50°C)



Product Information and Application Use

The Single-zone Pump Relay controls the operation of a single circulator or pump from a 24-volt signal. The Single-zone Pump Relay includes secondary low-voltage terminals for boiler operation.

✓ Description	Part Number	A	B	C	Weight
Single-zone Pump Relay	A3010100	4.25"	5.25"	2.75"	2.30 lbs.

Installation

Connect the thermostat to the "T T" terminals on the switching relay. When the thermostat calls for heat, the relay is energized and power is given to the circulator. Refer to the Uponor Single-zone Pump Relay Instruction Sheet for additional information.

Standards

N/A

Codes

N/A

Listings

N/A

Related Applications

Radiant Heating and Cooling Systems

Contact Information

Uponor, Inc.
5925 148th Street West
Apple Valley, MN 55124 USA
Phone: (800) 321-4739
Fax: (952) 891-2008
www.uponor-usa.com

Uponor Ltd.
655 Park Street
Regina, SK S4N 5N1 CANADA
Phone: (888) 994-7726
Fax: (800) 638-9517
www.uponor.ca